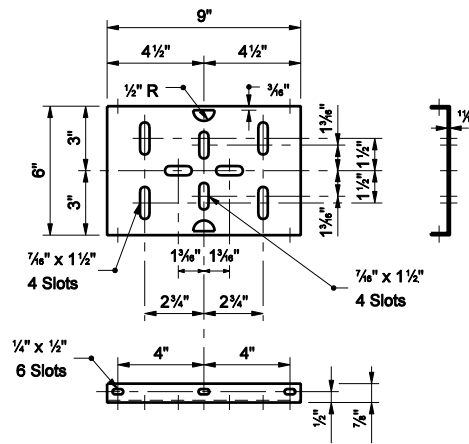
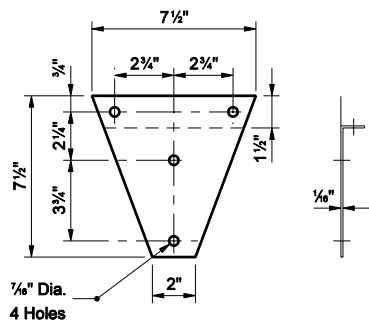


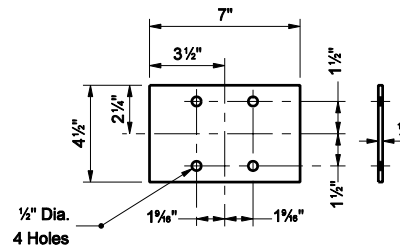
**SHELF**



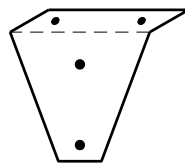
**PLATFORM**



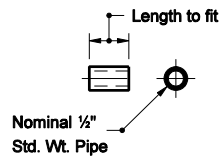
**BRACKET**



**ANTI-TWIST PLATE**



**FINISHED BRACKET  
ISOMETRIC**



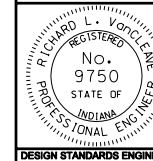
**SPACER**

INDIANA DEPARTMENT OF TRANSPORTATION

**MAILBOX SUPPORT HARDWARE**

**MARCH 2005**

**STANDARD DRAWING NO. E 611-MBAS-03**



*/s/ Richard L. VanCleave* 3-01-05  
DESIGN STANDARDS ENGINEER DATE

*/s/ Richard K. Smutzer* 3-01-05  
CHIEF HIGHWAY ENGINEER DATE

DESIGN STANDARDS ENGINEER