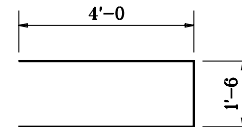


ELEVATION VIEW

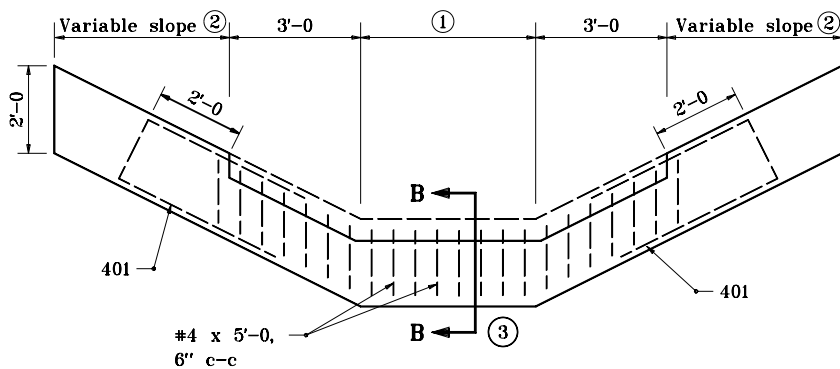
CUT-OFF WALL FOR PAVED SIDE DITCH TYPES E THROUGH H

GENERAL NOTES

- ① 1'-0 For Type E
2'-0 For Type F
3'-0 For Type G
4'-0 For Type H
- ② 3'-0 For Type E & F
4'-0 For Type G & H
- ③ See Standard Drawing E 607-PSDT-02 for Sections A-A and B-B.



401 x 9'-6



ELEVATION VIEW

LUG FOR PAVED SIDE DITCH TYPES E THROUGH H

INDIANA DEPARTMENT OF TRANSPORTATION

**PAVED SIDE DITCH
CUT-OFF WALL AND LUG**

SEPTEMBER 1997

STANDARD DRAWING NO. E 607-PSDT-03

	DETAILS PLACED IN THIS FORMAT	11-15-99
	/s/ Anthony L. Uremovich	11-15-99
	DESIGN STANDARDS ENGINEER	DATE
	/s/ Firooz Zandi	11-15-99
	CHIEF HIGHWAY ENGINEER	DATE
DESIGN STANDARDS ENGINEER	ORIGINALLY APPROVED	9-01-97