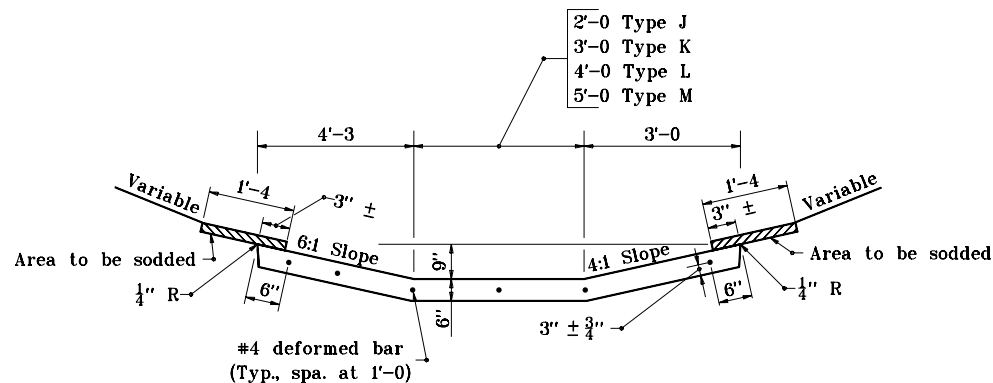


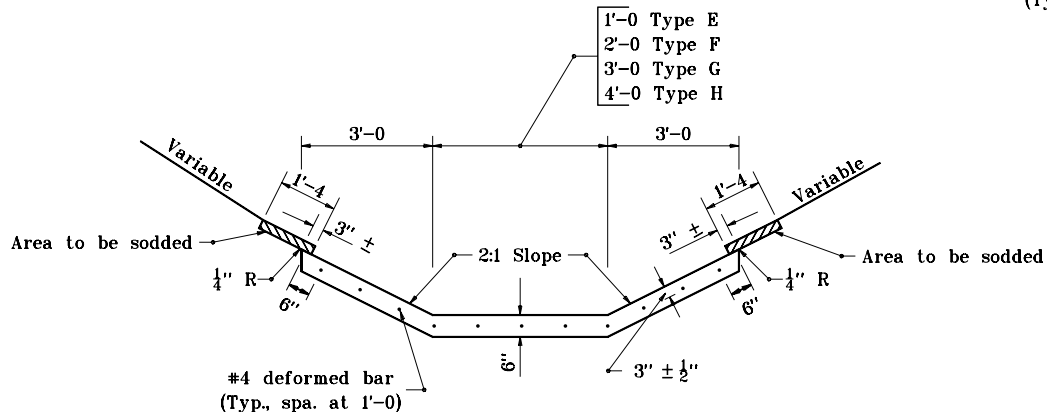
ELEVATION VIEW

**PAVED SIDE DITCH TYPES A THROUGH D**



ELEVATION VIEW

**PAVED SIDE DITCH TYPES J THROUGH M**



ELEVATION VIEW

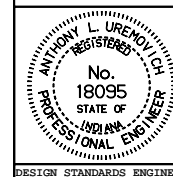
**PAVED SIDE DITCH TYPES E THROUGH H**

INDIANA DEPARTMENT OF TRANSPORTATION

**PAVED SIDE DITCH  
 ELEVATIONS**

SEPTEMBER 2000

STANDARD DRAWING NO. **E 607-PSDT-01**



/s/ Anthony L. Uremovich 9-01-00  
 DESIGN STANDARDS ENGINEER DATE

/s/ Firooz Zandi 9-01-00  
 CHIEF HIGHWAY ENGINEER DATE

DESIGN STANDARDS ENGINEER