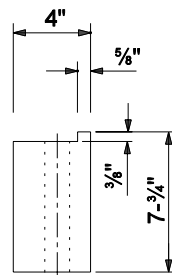
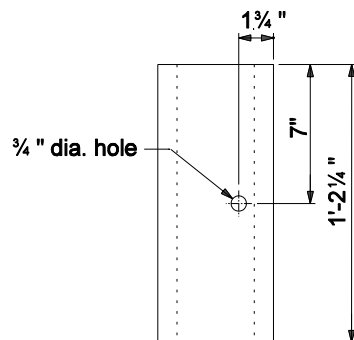


TOP VIEW

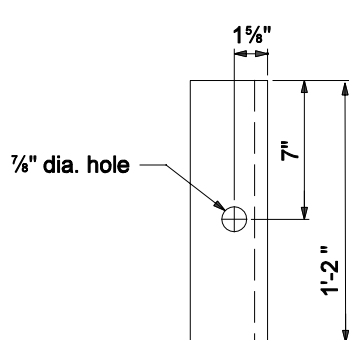


TOP VIEW



FRONT VIEW

TIMBER BLOCK DETAIL A

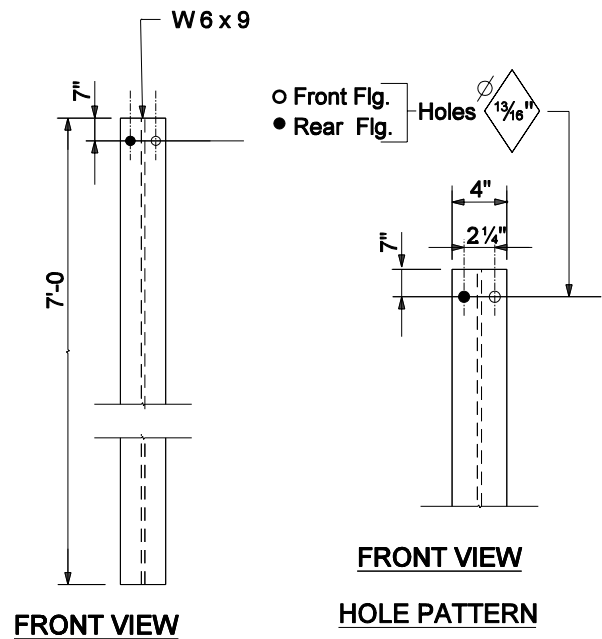


FRONT VIEW

TIMBER BLOCK DETAIL B

NOTES:

- ① These dimensions shall be adjusted as required to accommodate steel post flange.
- 2 Timber blocks shown in either Detail A or Detail B may be used.



STEEL POST DETAIL

INDIANA DEPARTMENT OF TRANSPORTATION	
W - BEAM GUARDRAIL COMPONENTS	
SEPTEMBER 2004	
STANDARD DRAWING NO. E 601-WBGC-03	
	<i>/s/ Richard L. VanCleave</i> 3-01-04 DESIGN STANDARDS ENGINEER DATE
	<i>/s/ Richard K. Smutzer</i> 3-01-04 CHIEF HIGHWAY ENGINEER DATE
DESIGN STANDARDS ENGINEER	