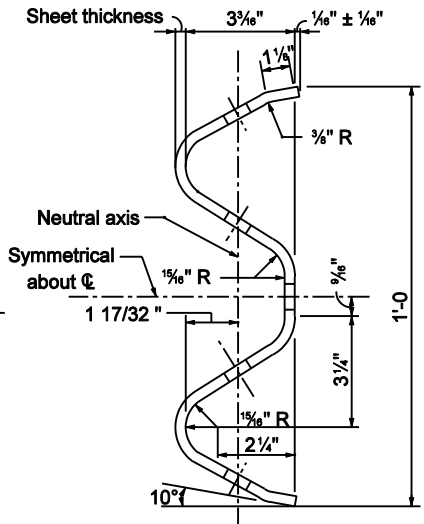


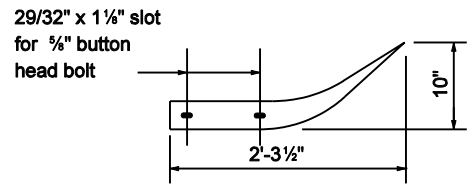
W-BEAM BACKUP PLATE



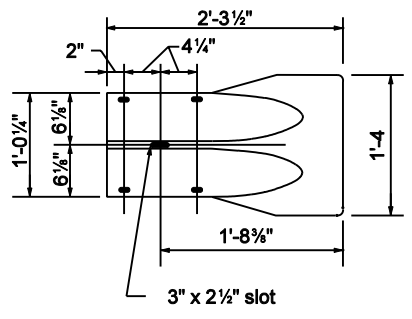
SECTION THROUGH BEAM ELEMENT

GENERAL NOTES

1. This sheet shall be used when W-beam guardrail is specified. This sheet shall also be used when a W-beam guardrail system requires the use of standard W-beam guardrail components.
2. The details on this sheet are for the standard components of W-beam guardrail.

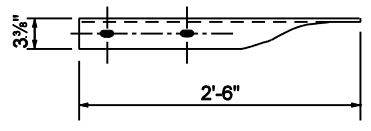


TOP VIEW

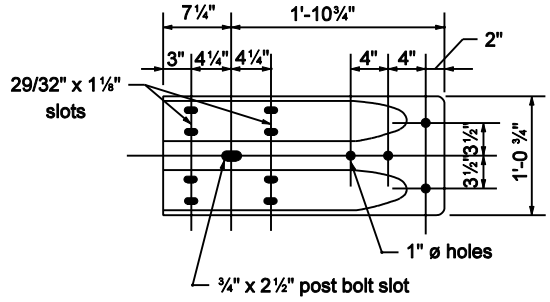


FRONT VIEW

CURVED TERMINAL END



TOP VIEW



FRONT VIEW

W-BEAM TERMINAL CONNECTOR

INDIANA DEPARTMENT OF TRANSPORTATION	
W-BEAM GUARDRAIL COMPONENTS	
MARCH 2003	
STANDARD DRAWING NO. E 601-WBGC-01	
	/s/ Richard L. VanCleave 3-03-03 DESIGN STANDARDS ENGINEER DATE
	/s/ Richard K. Smutzer 3-03-03 CHIEF HIGHWAY ENGINEER DATE
DESIGN STANDARDS ENGINEER	