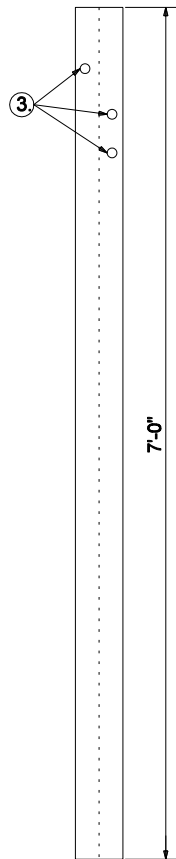
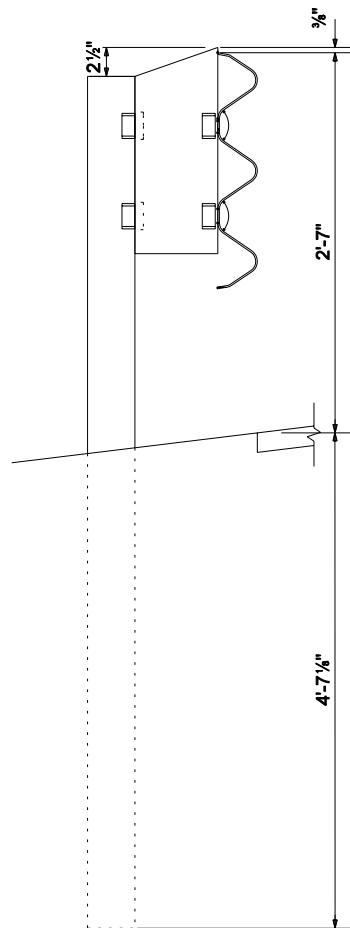


FRONT VIEW

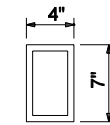


BACK VIEW

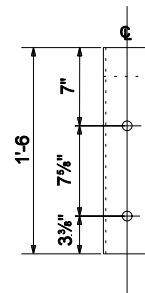


SIDE VIEW

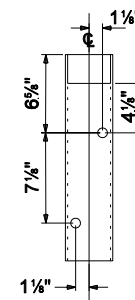
W 6 x 9 POST DETAILS



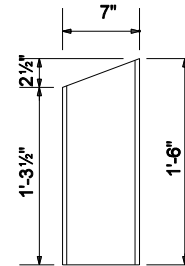
TOP VIEW



FRONT VIEW



BACK VIEW



SIDE VIEW

TS 7 x 4 x 3/16" BLOCK DETAILS

POSTS 1 THRU 7

NOTE:

1. All holes drilled or punched to 3/4" dia.
2. For post numbers see Standard Drawing E601-TTGB-01.
- ③ Hole pattern for posts numbers 8 thru 10 may be drilled in back flange. See Standard drawing E 601-TTGB-04 or E 601-TTGB-05.

INDIANA DEPARTMENT OF TRANSPORTATION	
GUARDRAIL TRANSITION TYPE TGB	
MARCH 2004	
STANDARD DRAWING NO. E 601-TTGB-03	
	<i>/s/ Richard L. VanCleave</i> 3-01-04 DESIGN STANDARDS ENGINEER DATE
	<i>/s/ Richard K. Smutzer</i> 3-01-04 CHIEF HIGHWAY ENGINEER DATE
DESIGN STANDARDS ENGINEER	