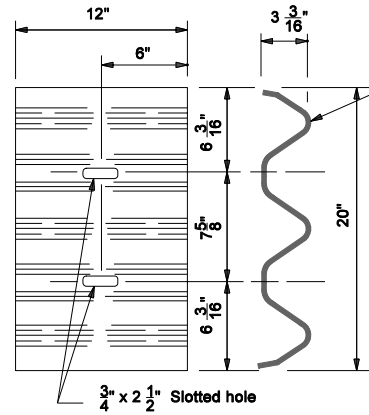
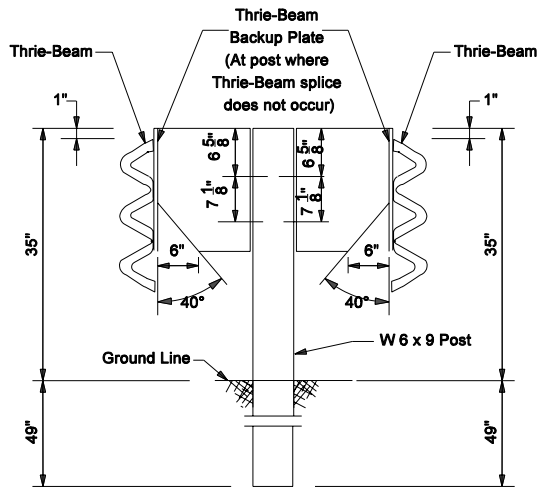


**THRIE BEAM GUARDRAIL**

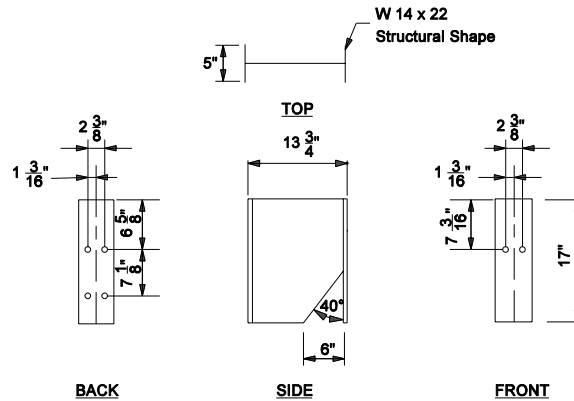


**THRIE BEAM GUARDRAIL BACK-UP PLATE  
AT LOCATIONS WITHOUT SPLICE**

Cross section dimensions shall conform to those shown on Standard Drawing E 601-TGBC-01.



**DOUBLE FACED THRIE BEAM GUARDRAIL**



**THRIE BEAM GUARDRAIL BLOCKOUT  
(STEEL ONLY)**

**Notes:**

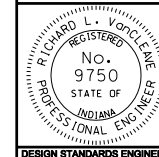
1. For Thrie Beam rail section details, see Standard Drawing E 601-TBGC-01.
2. For W 6x9 post hole pattern details, see Standard Drawings E 601-TTGB-03 and E 601-TTGB-04.
3. Typical post spacing for Thrie Beam Guardrail and Double Faced Thrie Beam Guardrail is 6' - 3".
4. Only the blockout material shown may be used.

INDIANA DEPARTMENT OF TRANSPORTATION

**THRIE BEAM  
GUARDRAIL DETAILS**

MARCH 2005

STANDARD DRAWING NO. E 601-MTGR-01



/s/ Richard L. VanCleave 3-01-05  
DESIGN STANDARDS ENGINEER DATE

/s/ Richard K. Smutzer 3-01-05  
CHIEF HIGHWAY ENGINEER DATE

DESIGN STANDARDS ENGINEER