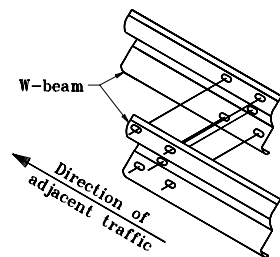
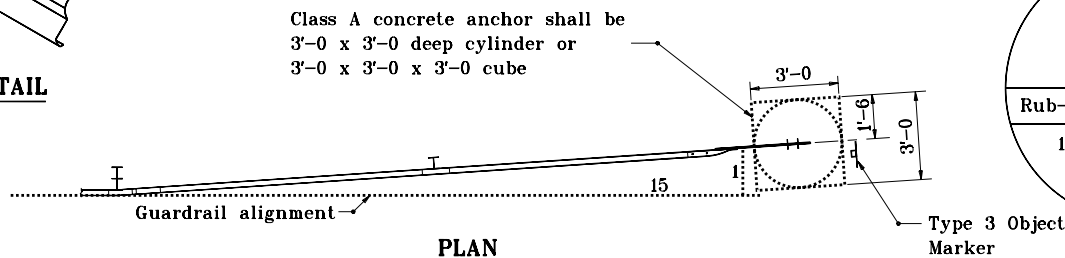


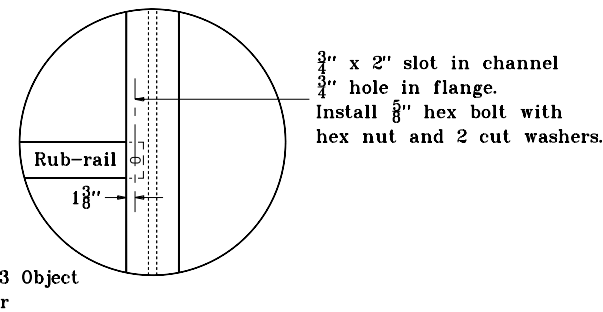
CONCRETE ANCHOR DETAIL



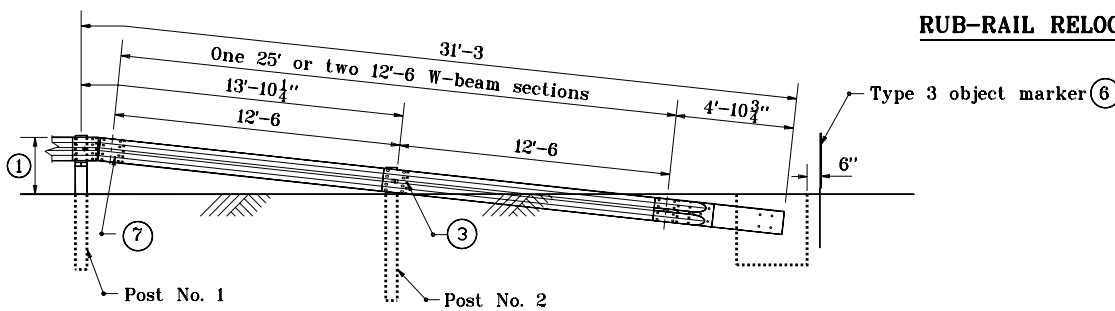
LAP DETAIL



PLAN



RUB-RAIL RELOCATION DETAIL



ELEVATION

Post No. 1 & No. 2 length = 6'-0

GENERAL NOTES

1. The top of rail height at this post shall match the height of the adjacent guardrail.
2. Installation of guardrail end treatment type I at the end of a run of rub-rail type guardrail shall require the relocation of the rub-rail as shown.
3. See Standard Drawing E 601-GRET-04 for Post No. 2 Connection Detail.
4. If rub-rail is not spliced at post, the channel shall be cut and repositioned behind the flange.
5. If rub-rail is spliced at post, the splice material shall be removed and the channel shall be repositioned behind the flange.
6. See Standard Drawing E 808-MKN8-03 for object marker type 3 details.
7. See Standard Drawing E 601-GRET-04 for Splice Plate Assembly Detail.

INDIANA DEPARTMENT OF TRANSPORTATION	
GUARDRAIL END TREATMENT TYPE I	
NOVEMBER 1995	
STANDARD DRAWING NO. E 601-GRET-05	
	DETAILS PLACED IN THIS FORMAT 11-15-99 /s/ Anthony L. Uremovich 11-15-99 DESIGN STANDARDS ENGINEER DATE
DESIGN STANDARDS ENGINEER	/s/ Firooz Zandi 11-15-99 CHIEF HIGHWAY ENGINEER DATE ORIGINALLY APPROVED 11-01-95