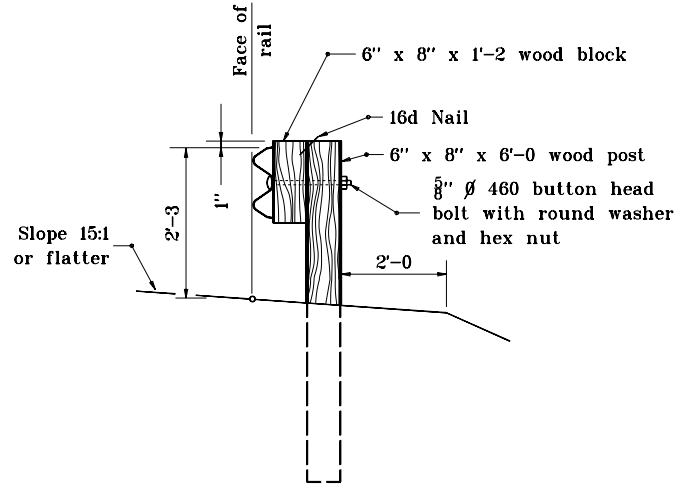


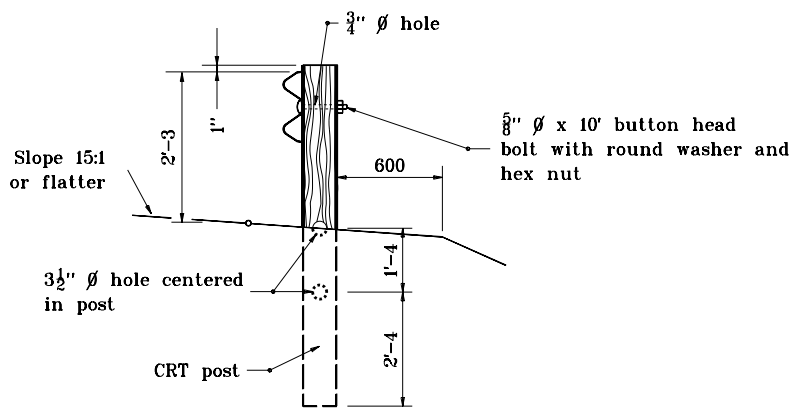
RADIUS	NO. OF CRT POSTS	REQUIRED AREA FREE OF FIXED OBJECTS
		L x W
8'-6	5	25' x 15'
17'	6	30' x 15'
25'-6	8	40' x 20'
35'	11	50' x 20'

See Standard Drawing E 601-CWGS-03 for General Notes.

Maintain area free of fixed objects (See Table CWGS-2)

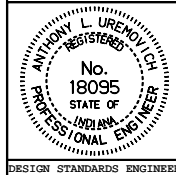


SECTION B-B



SECTION A-A

INDIANA DEPARTMENT OF TRANSPORTATION
**CURVED W-BEAM
 GUARDRAIL SYSTEM**
 JANUARY 2000
 STANDARD DRAWING NO. E 601-CWGS-02



/s/ Anthony L. Uremovich 1-03-00
 DESIGN STANDARDS ENGINEER DATE

/s/ Firooz Zandi 1-03-00
 CHIEF HIGHWAY ENGINEER DATE

DESIGN STANDARDS ENGINEER