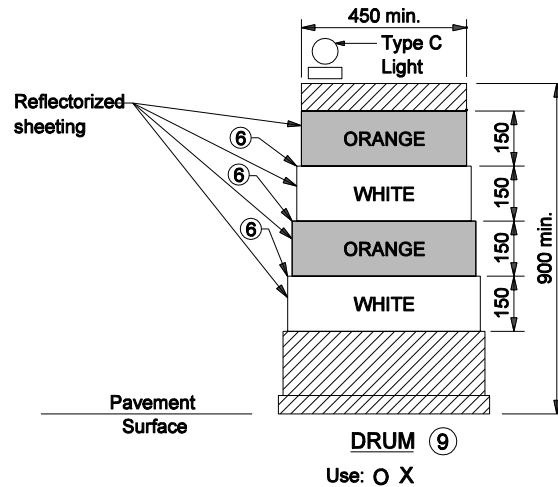
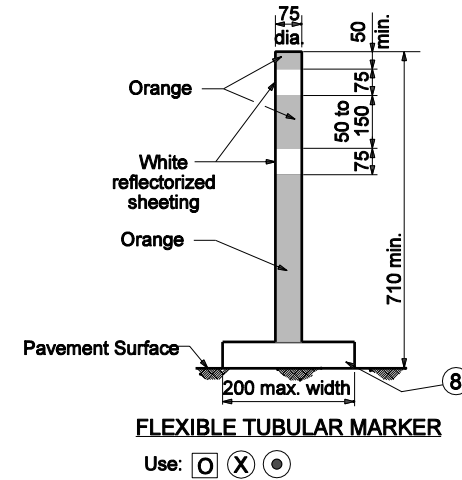


**GENERAL NOTES**

- For additional notes and legends see Standard Drawing 801-TCLG-01 or 801-TCDV-02.
- A Type C warning light will be required on tapers where there is a reduction in the number of lanes and a flashing arrow sign is used..



All Dimensions are in mm unless otherwise specified

INDIANA DEPARTMENT OF TRANSPORTATION

**CHANNELIZING DEVICES**

MARCH 2005

STANDARD DRAWING NO. 801-TCDV-01

	/s/ Richard L. VanCleave	3-01-05
	DESIGN STANDARDS ENGINEER	DATE
	/s/ Richard K. Smutzer	3-01-05
DESIGN STANDARDS ENGINEER	CHIEF HIGHWAY ENGINEER	DATE