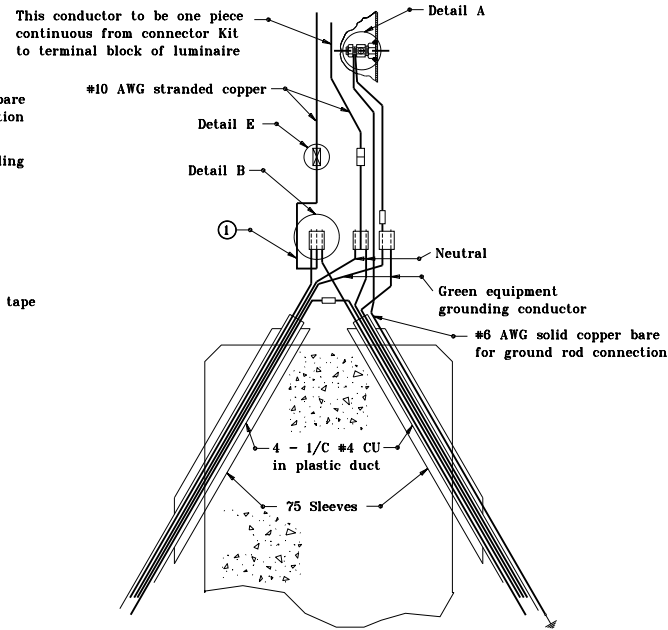
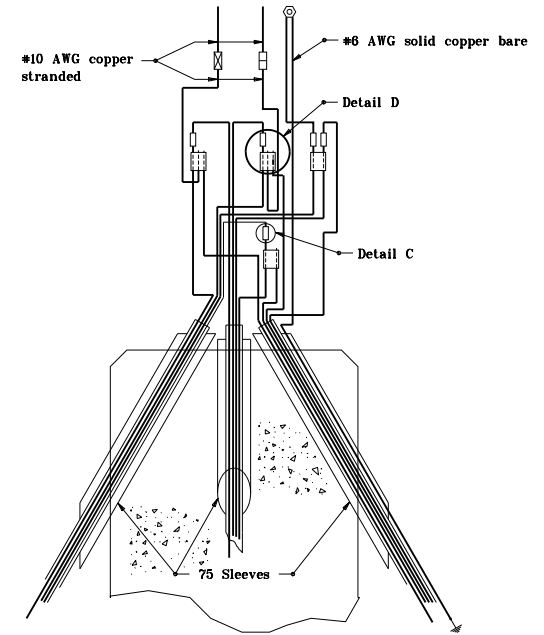


**TYPE 1**



**TYPE 2**



**TYPE 3**

**CONNECTION TYPES**

**NOTES**

- ① Allow sufficient conductor slack to permit the withdrawal of outside of pole handhole.
2. Use of inhibiting compound is mandatory for all connections.

**LEGEND**

- ⊙ — Grounding post
- — Self insulated splicer (insulating link)
- — Unfused connector
- ⊠ — Fused connector
- ⊞ — Compression connector

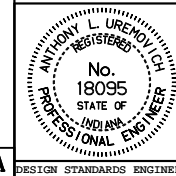
All dimensions are in mm unless otherwise specified.

INDIANA DEPARTMENT OF TRANSPORTATION

**LIGHTING WIRING DETAILS**

JANUARY 1996

STANDARD DRAWING NO. 807-LTWR-01



/s/ Anthony L. Uremovich 1-02-96  
DESIGN STANDARDS ENGINEER DATE

/s/ Donald W. Lucas 1-02-96  
CHIEF HIGHWAY ENGINEER DATE

Source Sheet: MT 6A