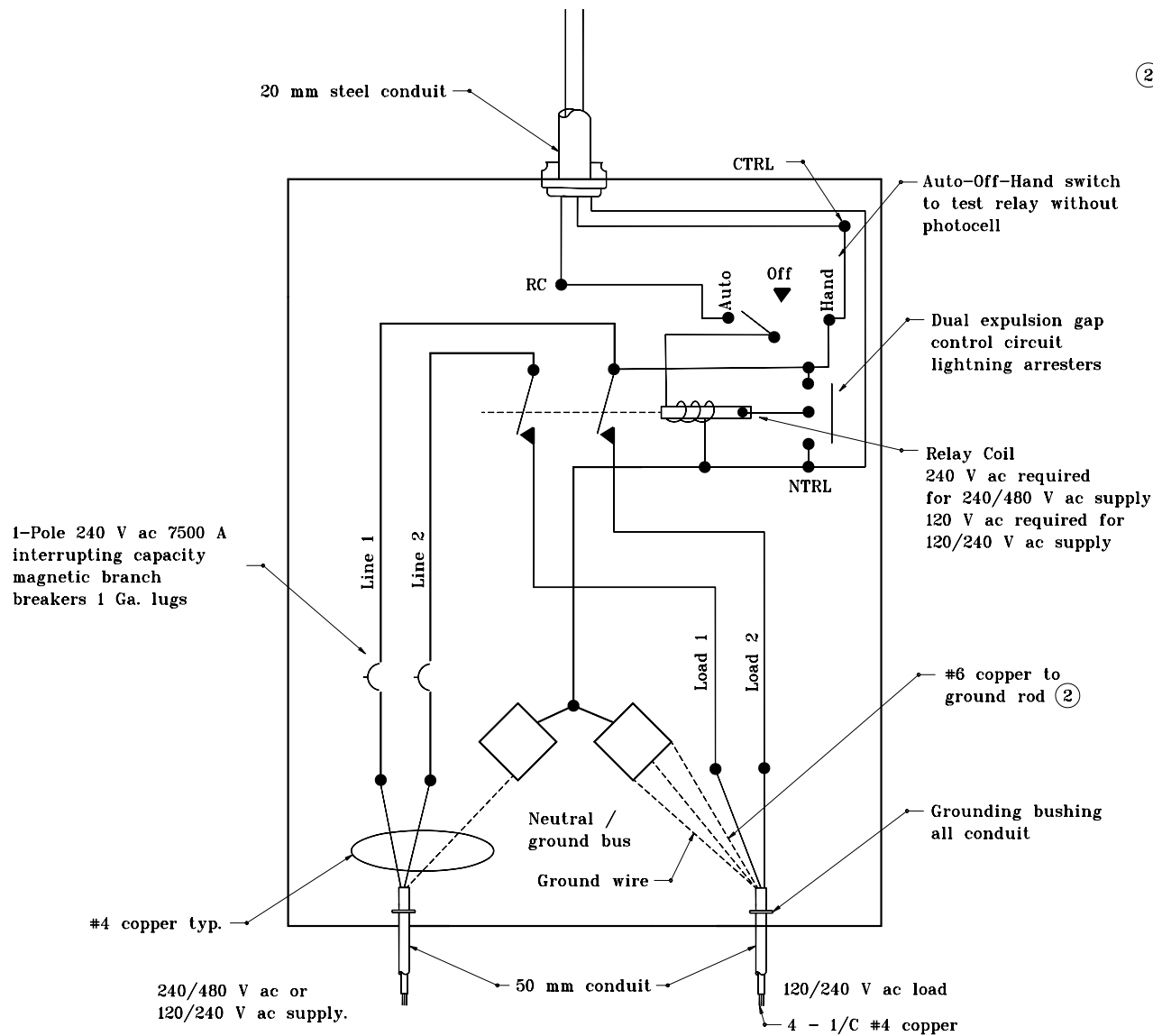


NOTES

1. To Photo Control:
240 V ac required for 240/480 V ac supply.
120 V ac required for 120/240 V ac supply.
- ② See Standard Drawing 807-LTSP-01 for Detail B.



**TYPICAL CABINET WIRING,
TYPE 1**

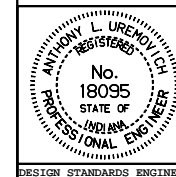
All dimensions are in mm unless otherwise specified.

INDIANA DEPARTMENT OF TRANSPORTATION

LIGHT SERVICE POINT DETAILS

JANUARY 2000

STANDARD DRAWING NO. **807-LTSP-03**



/s/ Anthony L. Uremovich 1-03-00
DESIGN STANDARDS ENGINEER DATE

/s/ Firooz Zandi 1-03-00
CHIEF HIGHWAY ENGINEER DATE

DESIGN STANDARDS ENGINEER