

600 mm Class III reinforced concrete pipe

Duct seal around conductors

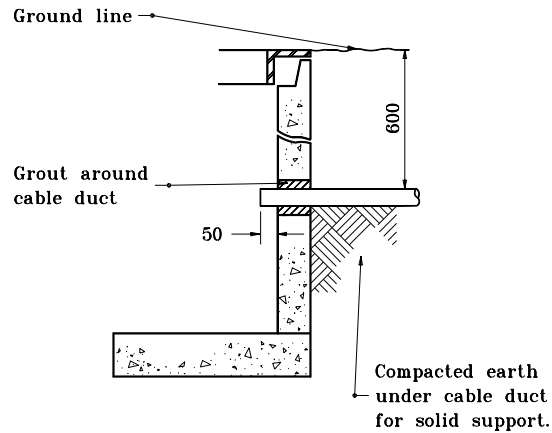
Cable duct

Concrete pad

Aggregate

**STREET & ALLEY TYPE
HANDHOLE**

* 100 min. for alternate handhole



**CABLE DUCT ENTERING
HANDHOLE**

GENERAL NOTES

1. Alternate handhole minimum size shall be 430 x 760 x 560 depth with 50 mm lid thickness.
2. Approximate weight for cast iron ring and cover shall be 145 kg.

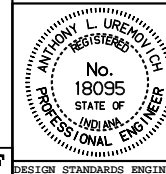
All dimensions are in mm unless otherwise specified.

INDIANA DEPARTMENT OF TRANSPORTATION

LIGHT HANDHOLE DETAILS

MARCH 1995

STANDARD DRAWING NO. 807-LTHH-01



/s/ Anthony L. Uremovich 3-01-95
DESIGN STANDARDS ENGINEER DATE

/s/ Donald W. Lucas 3-01-95
CHIEF HIGHWAY ENGINEER DATE

Source Sheet: MT6F