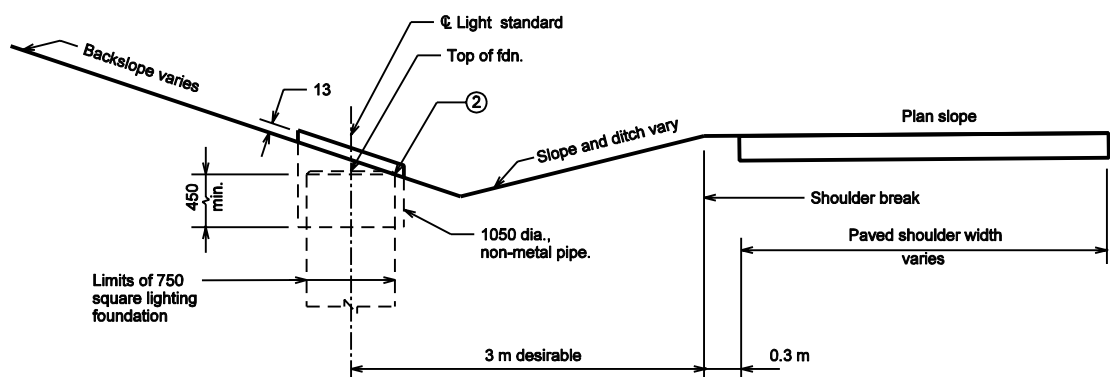


ELEVATION, CUT SECTION, ROUND FOUNDATION



ELEVATION, CUT SECTION, SQUARE FOUNDATION

- Notes:**
- ① ② See Standard Drawing 807-LTFD-05 for General Notes.
 - 3. Transformer base door shall face roadway.
 - 4. Foundation shall not be installed on ditch line.

All Dimension are in mm unless otherwise specified

INDIANA DEPARTMENT OF TRANSPORTATION											
LIGHT STANDARD FOUNDATION GRADING CUT SECTION											
SEPTEMBER 2002											
STANDARD DRAWING NO. 807-LTFD-04											
	<table style="width: 100%; border: none;"> <tr> <td style="border: none;">/s/ Richard L. VanCleave</td> <td style="border: none; text-align: right;">9-03-02</td> </tr> <tr> <td style="border: none;">DESIGN STANDARDS ENGINEER</td> <td style="border: none; text-align: right;">DATE</td> </tr> <tr> <td colspan="2" style="border: none;"> </td> </tr> <tr> <td style="border: none;">/s/ Richard K. Smutzer</td> <td style="border: none; text-align: right;">9-03-02</td> </tr> <tr> <td style="border: none;">CHIEF HIGHWAY ENGINEER</td> <td style="border: none; text-align: right;">DATE</td> </tr> </table>	/s/ Richard L. VanCleave	9-03-02	DESIGN STANDARDS ENGINEER	DATE			/s/ Richard K. Smutzer	9-03-02	CHIEF HIGHWAY ENGINEER	DATE
/s/ Richard L. VanCleave	9-03-02										
DESIGN STANDARDS ENGINEER	DATE										
/s/ Richard K. Smutzer	9-03-02										
CHIEF HIGHWAY ENGINEER	DATE										
DESIGN STANDARDS ENGINEER											