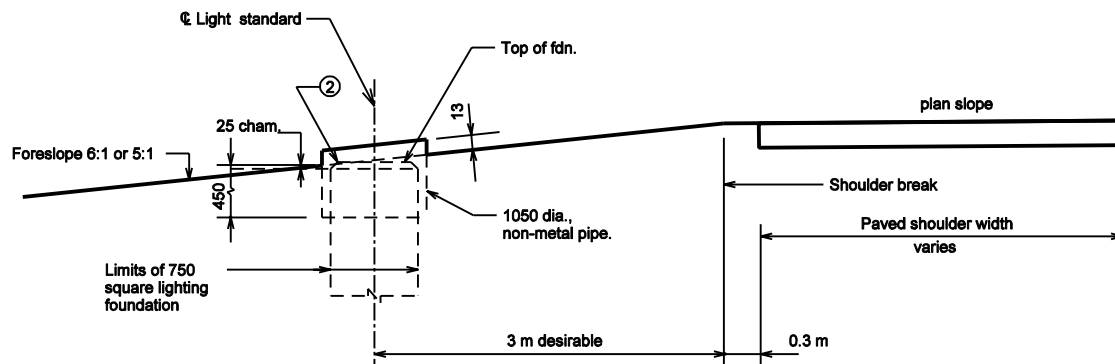


ELEVATION, FILL SECTION, 6:1 OR 5:1 SLOPE, ROUND FOUNDATION



ELEVATION, FILL SECTION, 6:1 OR 5:1 SLOPE, SQUARE FOUNDATION

Notes:

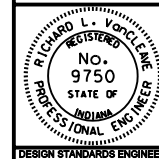
- ① ② See Standard Drawing 807-LTFD-05 General Notes.
3. Transformer base door shall face the right-of-way line.

All Dimension are in mm unless otherwise specified

INDIANA DEPARTMENT OF TRANSPORTATION

**LIGHT STANDARD
FOUNDATION GRADING
FILL SECTION
SEPTEMBER 2002**

STANDARD DRAWING NO. 807-LTFD-02



/s/ Richard L. VanCleave 9-03-02
DESIGN STANDARDS ENGINEER DATE

/s/ Richard K. Smutzer 9-03-02
CHIEF HIGHWAY ENGINEER DATE

DESIGN STANDARDS ENGINEER