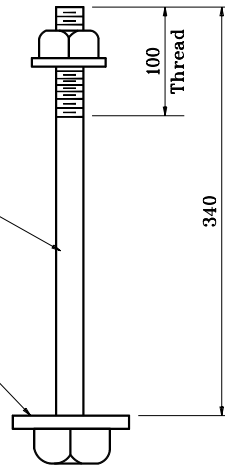


1903 x 2715

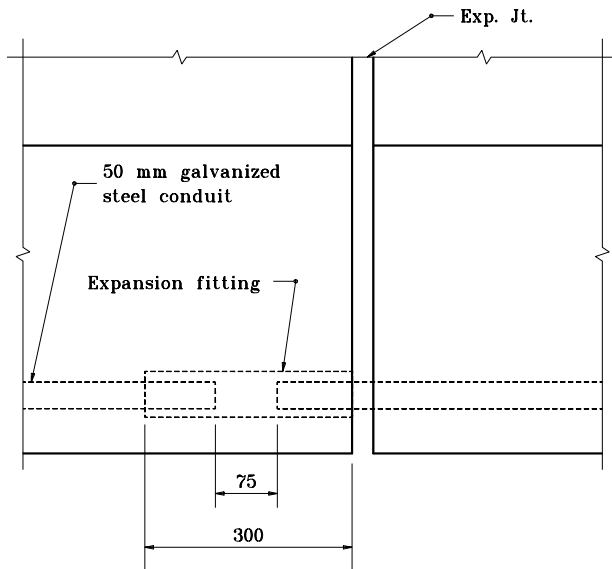
M24 x 340 bolt (with square head, hex nut & cut washer)

100 x 100 x 7 ½

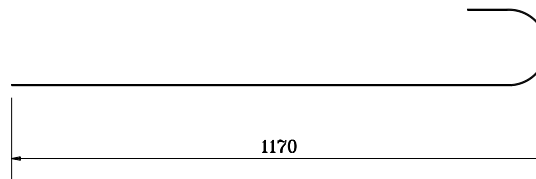


Galvanize thread, hex nut & cut washer.

ANCHOR BOLT AR-22



EXPANSION SLEEVE



1902 x 1375

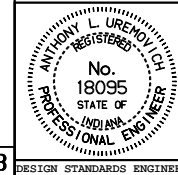
All dimensions are in mm unless otherwise specified.

INDIANA DEPARTMENT OF TRANSPORTATION

BRIDGE LIGHTING DETAILS

SEPTEMBER 1997

STANDARD DRAWING NO. **807-BLIT-03**



/s/ Anthony L. Uremovich 9-01-97
DESIGN STANDARDS ENGINEER DATE

/s/ Donald W. Lucas 9-01-97
CHIEF HIGHWAY ENGINEER DATE

Source Sheet: **R2-B**

DESIGN STANDARDS ENGINEER