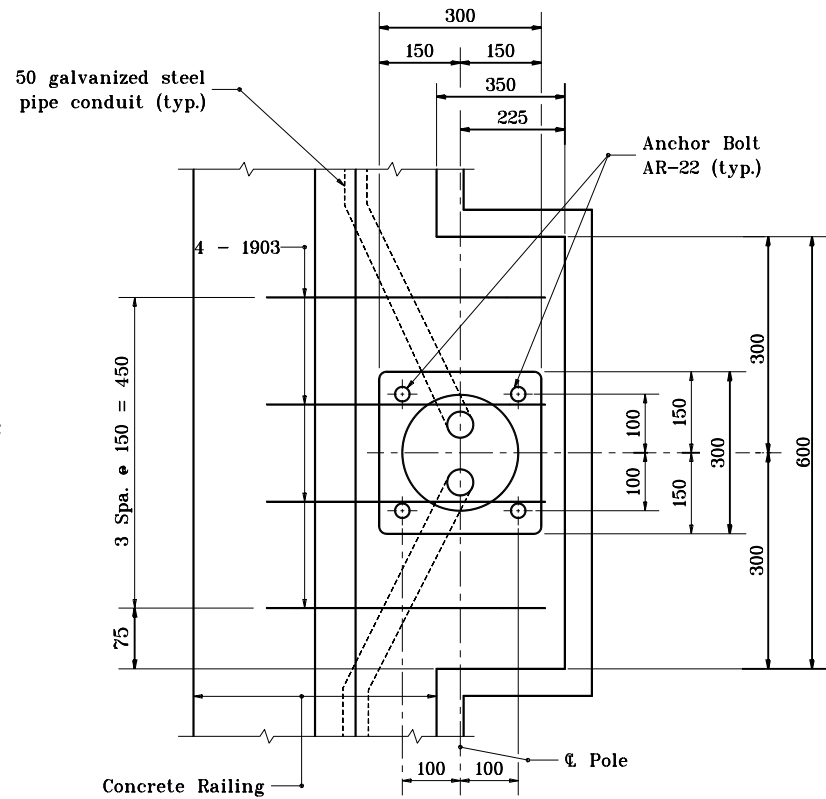
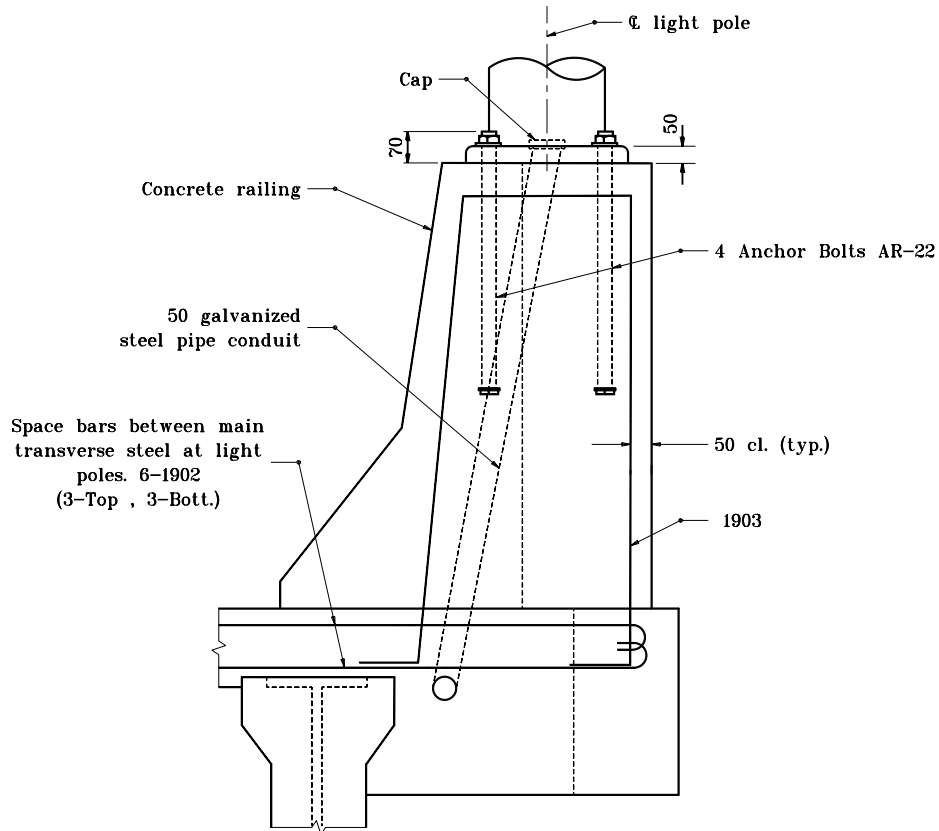


**GENERAL NOTES**

1. See Standard Drawing 807-BLIT-03 for bending diagrams.



The bolt circle diameter is approximately 290.

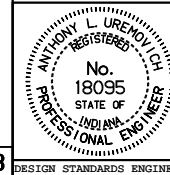
All dimensions are in mm unless otherwise specified.

INDIANA DEPARTMENT OF TRANSPORTATION

**BRIDGE LIGHTING DETAILS**

SEPTEMBER 1997

STANDARD DRAWING NO. 807-BLIT-01



/s/ Anthony L. Uremovich 9-01-97  
 DESIGN STANDARDS ENGINEER DATE

/s/ Donald W. Lucas 9-01-97  
 CHIEF HIGHWAY ENGINEER DATE

Source Sheet: R2-B

DESIGN STANDARDS ENGINEER