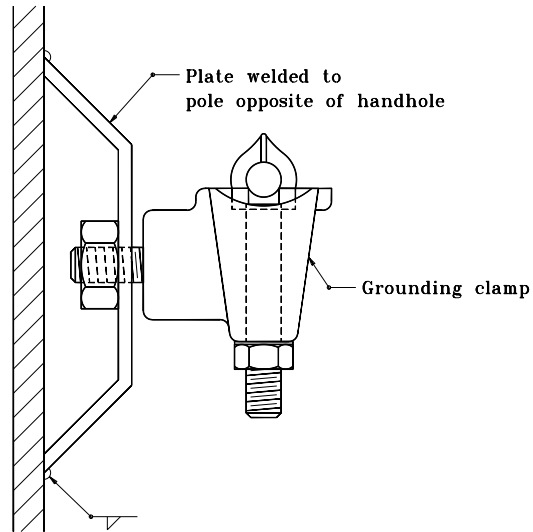
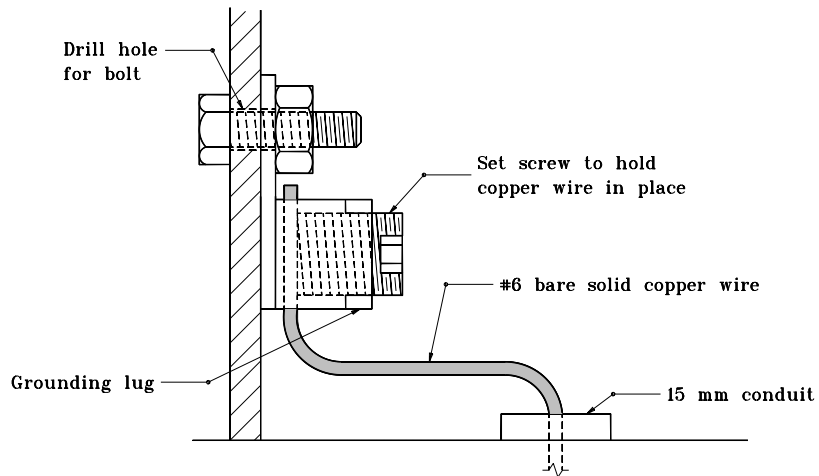


**ALUMINUM POLES**

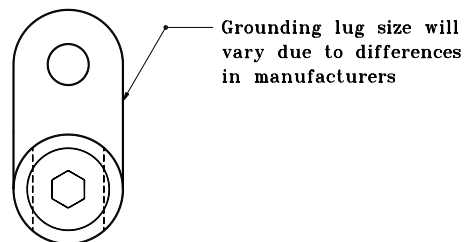


**STEEL POLES**

**GROUNDING POST DETAIL**



**GROUNDING LUG DETAIL  
(FIELD CONNECTION)**



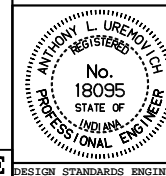
All dimensions are in mm unless otherwise specified.

INDIANA DEPARTMENT OF TRANSPORTATION

**GROUNDING DETAILS**

MARCH 1995

STANDARD DRAWING NO. 805-SGGR-03



/s/ Anthony L. Uremovich 3-01-95  
DESIGN STANDARDS ENGINEER DATE

/s/ Donald W. Lucas 3-01-95  
CHIEF HIGHWAY ENGINEER DATE

Source Sheet: NONE