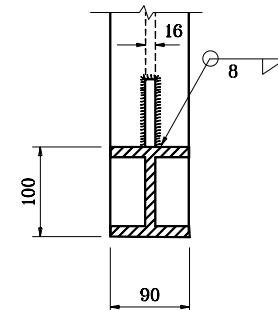
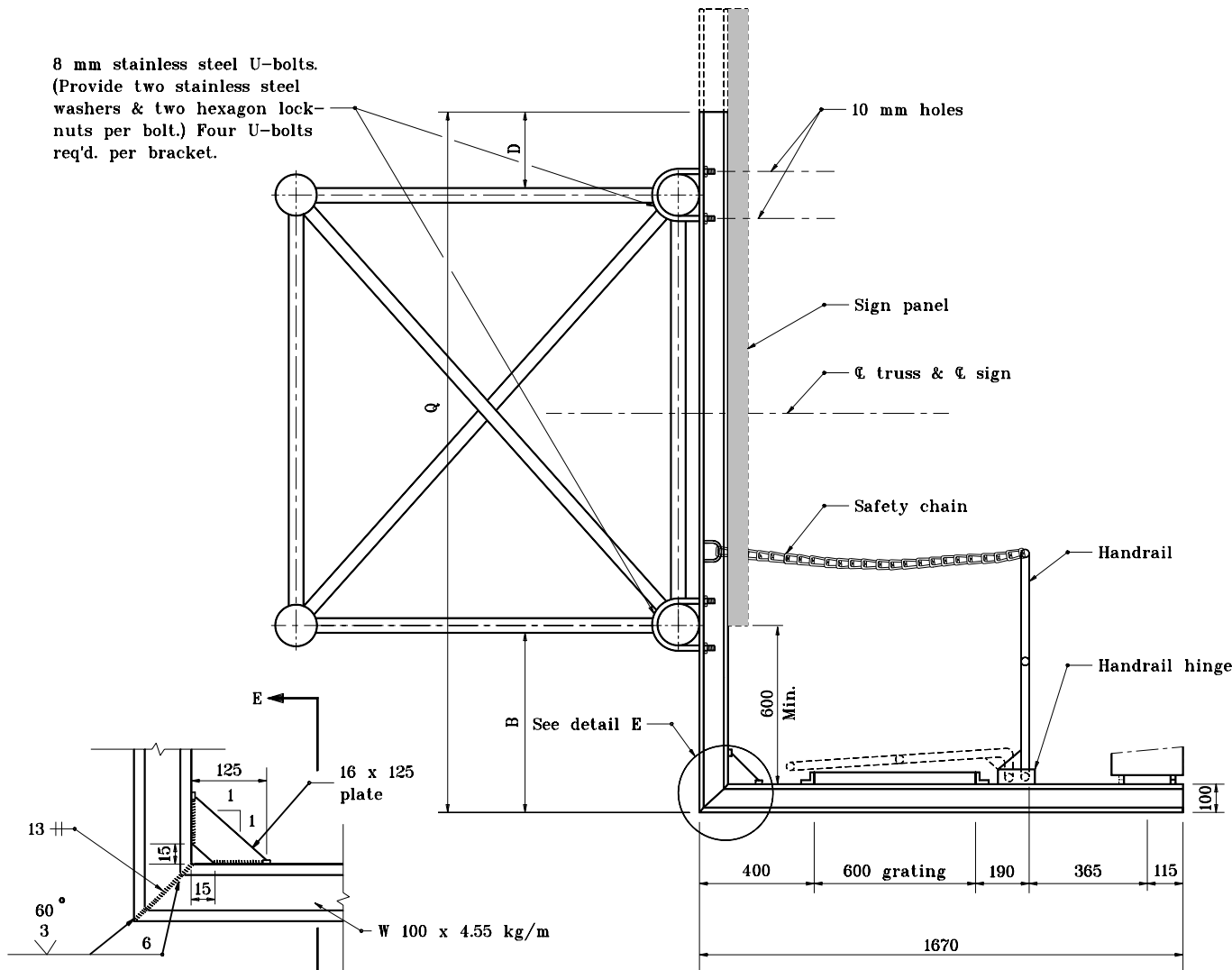


**GENERAL NOTES**

1. Dimensions B,D and Q to be determined by contractor to fit signs involved.
2. Sign panel shall be placed symmetrically about  $\bar{C}$  truss.

8 mm stainless steel U-bolts.  
(Provide two stainless steel washers & two hexagon lock-nuts per bolt.) Four U-bolts req'd. per bracket.



**SECTION E-E**

**DETAIL E**

**SECTION A-A**

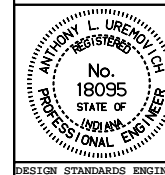
All dimensions are in mm unless otherwise specified.

INDIANA DEPARTMENT OF TRANSPORTATION

**SIGN TRUSS DETAILS**

SEPTEMBER 2001

STANDARD DRAWING NO. 802-SNWW-03



/s/ Anthony L. Uremovich 9-04-01  
DESIGN STANDARDS ENGINEER DATE

/s/ Firooz Zandi 9-04-01  
CHIEF HIGHWAY ENGINEER DATE

DESIGN STANDARDS ENGINEER