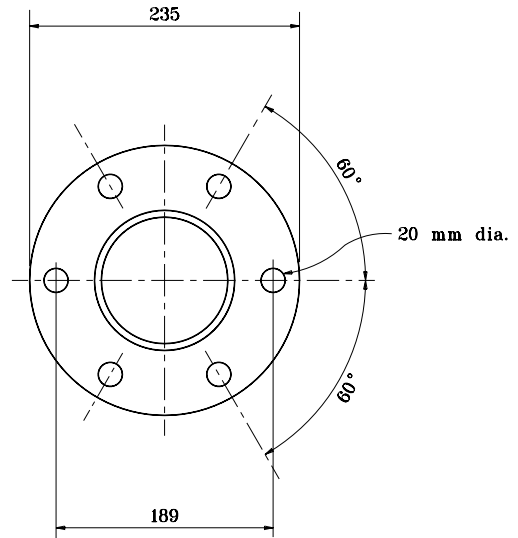
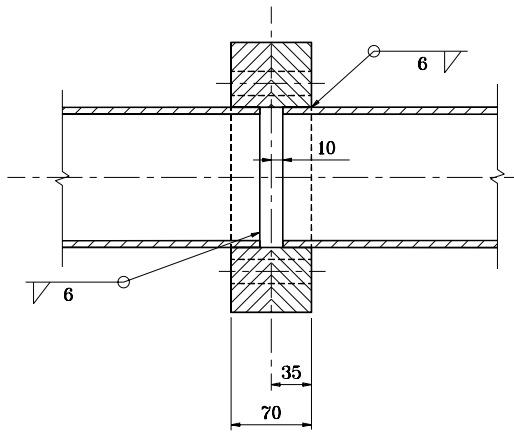


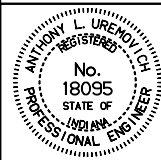
GENERAL NOTES

1. Flanges shall be given additional finish if necessary to ensure contact between plates.



SPLICE DETAIL

All dimensions are in mm unless otherwise specified.

INDIANA DEPARTMENT OF TRANSPORTATION	
ALUMINUM STRUCTURE SPLICE DETAIL	
SEPTEMBER 2001	
STANDARD DRAWING NO. 802-SNOH-11	
	/s/ Anthony L. Uremovich 9-04-01 DESIGN STANDARDS ENGINEER DATE
	/s/ Firooz Zandi 9-04-01 CHIEF HIGHWAY ENGINEER DATE
DESIGN STANDARDS ENGINEER	