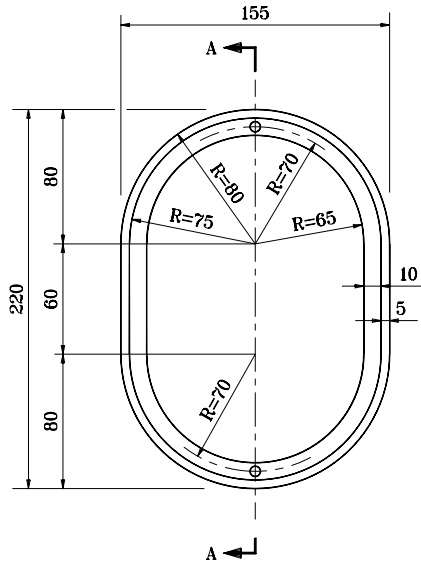
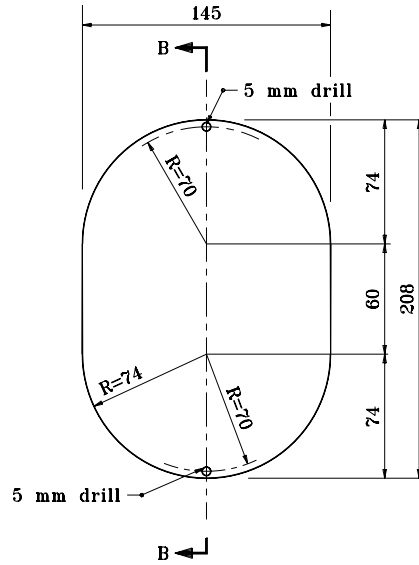


**GENERAL NOTES**

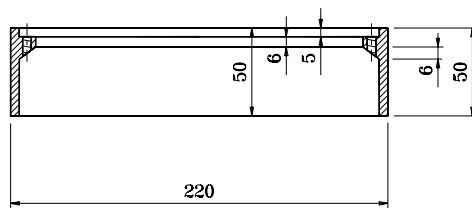
1. Drill and tap (thru) two-3.3mm holes with M4 threads.
2. Two-Stainless Steel M4x12 long round-head phillips machine screws required.
3. Sand-Cast Aluminum Alloy.



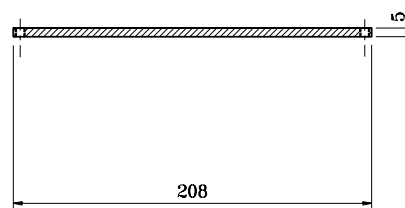
**ELECTRICAL CONDULET**



**CONDULET COVER**



**SECTION A-A**



**SECTION B-B**

All dimensions are in mm unless otherwise specified.

INDIANA DEPARTMENT OF TRANSPORTATION

**ALUMINUM STRUCTURE**

**CONDULET DETAILS**

SEPTEMBER 2001

STANDARD DRAWING NO. 802-SNOH-09

	/s/ Anthony L. Uremovich 9-04-01 DESIGN STANDARDS ENGINEER DATE
	/s/ Firooz Zandi 9-04-01 CHIEF HIGHWAY ENGINEER DATE

DESIGN STANDARDS ENGINEER