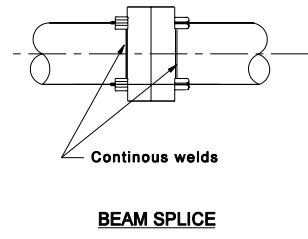
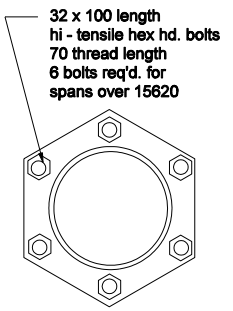
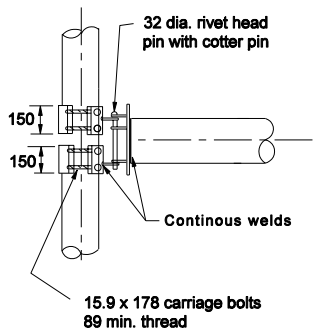


**OVERHEAD BRIDGE**



All Dimension are in mm unless otherwise specified

INDIANA DEPARTMENT OF TRANSPORTATION

**OVERHEAD SIGN BRIDGE SPANS**

MARCH 2004

STANDARD DRAWING NO. 802-SNOB-01

	<p><i>/s/ Richard L. VarCleave</i> 3-01-04 DESIGN STANDARDS ENGINEER DATE</p> <p><i>/s/ Richard K. Smutzer</i> 3-01-04 CHIEF HIGHWAY ENGINEER DATE</p>
DESIGN STANDARDS ENGINEER	