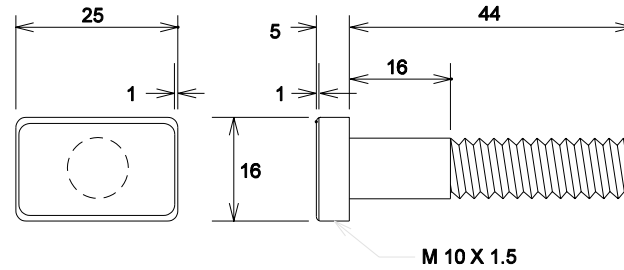


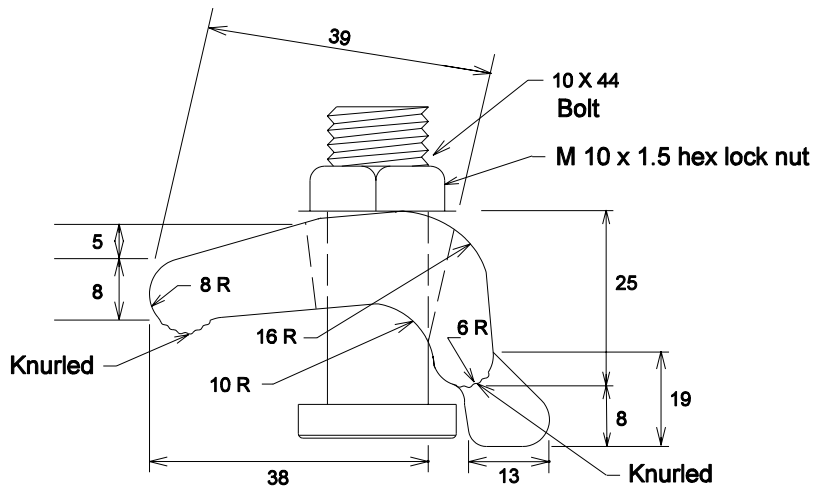
PLAN VIEW



TOP VIEW

SIDE VIEW

POST CLIP BOLT



ELEVATION VIEW

All dimensions are in mm unless otherwise specified

INDIANA DEPARTMENT OF TRANSPORTATION

Panel Sign Post Clip

SEPTEMBER 2004

STANDARD DRAWING NO. 802-SNGP-10A

	<i>/s/ Richard L. VanCleave</i> 9-01-04 DESIGN STANDARDS ENGINEER DATE
	<i>/s/ Richard K. Smutzer</i> 9-01-04 CHIEF HIGHWAY ENGINEER DATE

DESIGN STANDARDS ENGINEER