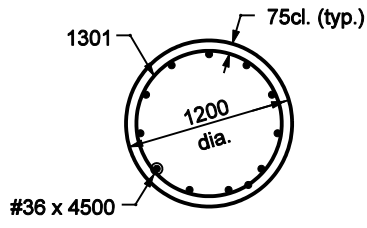
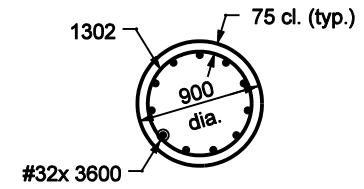


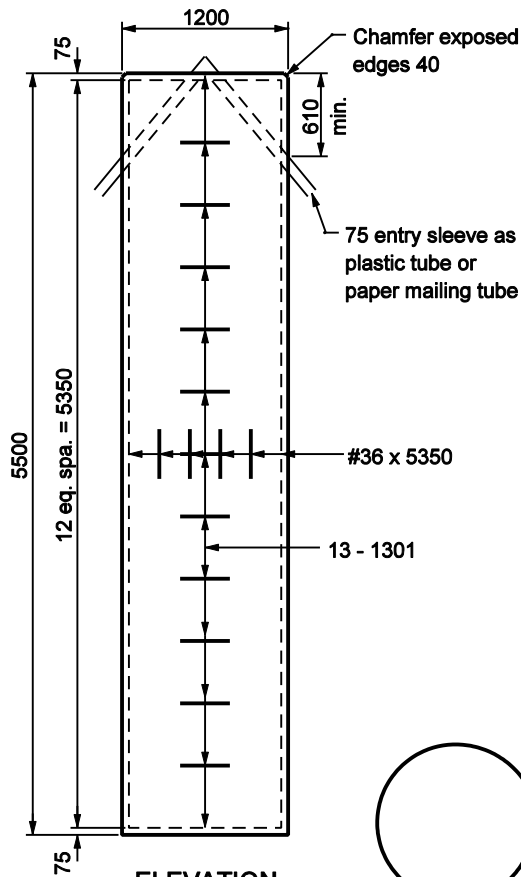
PLAN



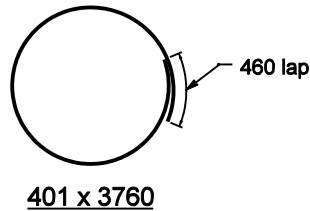
PLAN



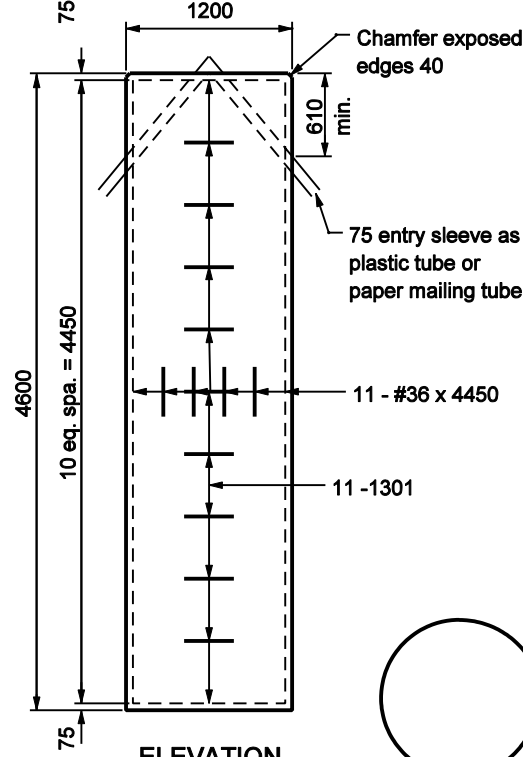
PLAN



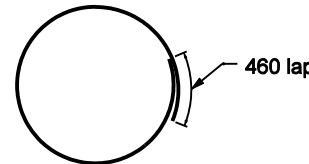
ELEVATION
FOUNDATION TYPE I



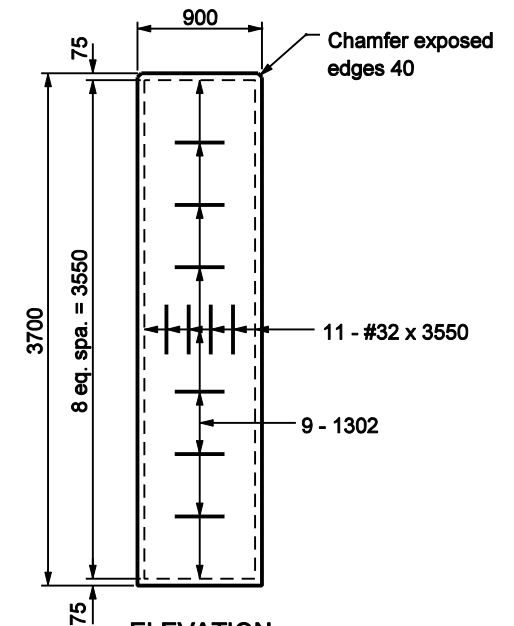
401 x 3760



ELEVATION
FOUNDATION TYPE II



402 x 2820



ELEVATION
FOUNDATION TYPE III

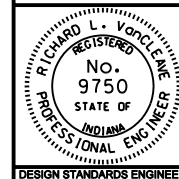
All Dimension are in mm unless otherwise specified

INDIANA DEPARTMENT OF TRANSPORTATION

CANTILEVER SIGN
SUPPORT FOUNDATION DETAILS

MARCH 2003

STANDARD DRAWING NO. 802-SNCF-01



/s/ Richard L. VanCleave 3-03-03
DESIGN STANDARDS ENGINEER DATE

/s/ Richard K. Smutzer 3-03-03
CHIEF HIGHWAY ENGINEER DATE

DESIGN STANDARDS ENGINEER