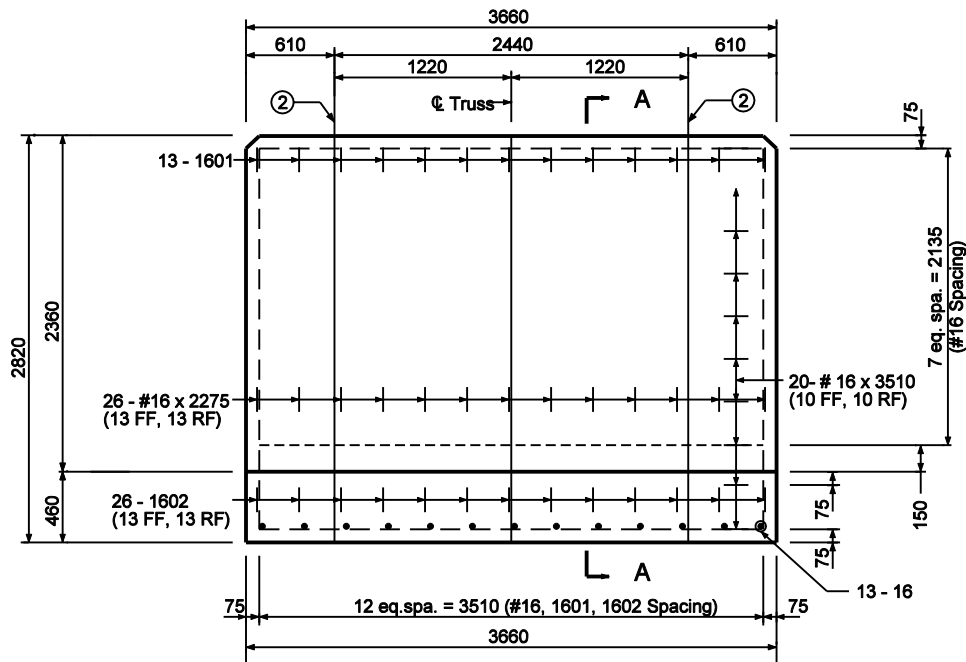
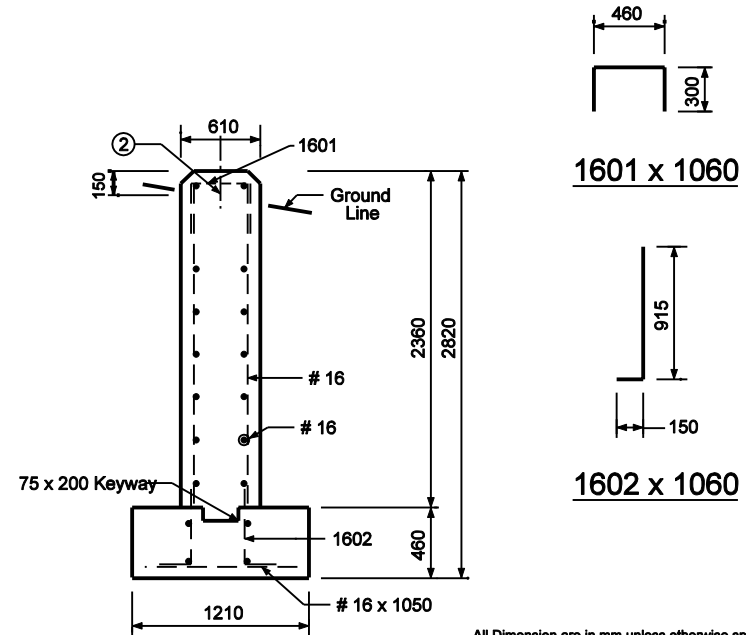


PLAN



ELEVATION



SECTION A-A

Notes:

1. For barrier wall width transition see Standard Drawing 602-CCMB-03.

② \varnothing Anchor Bolt.

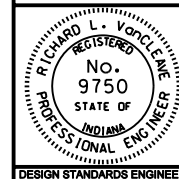
All Dimension are in mm unless otherwise specified

INDIANA DEPARTMENT OF TRANSPORTATION

**BOX TRUSS SIGN FOUNDATION
FOR SHOULDER INSTALLATION**

**TYPE VI - C
MARCH 2003**

STANDARD DRAWING NO. 802-SNBF-07



/s/ Richard L. VanCleave 3-03-03
DESIGN STANDARDS ENGINEER DATE

/s/ Richard K. Smutzer 3-03-03
CHIEF HIGHWAY ENGINEER DATE

DESIGN STANDARDS ENGINEER