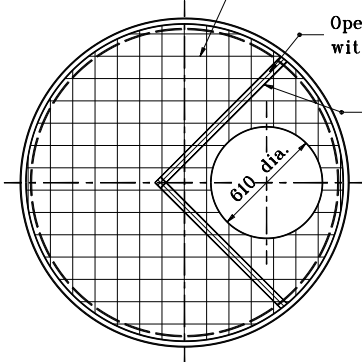


Min. steel area  $250 \text{ mm}^2/\text{m}$  of width in both directions.

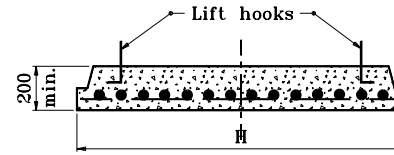
Opening additionally reinforced with equivalent of  $430 \text{ mm}^2/\text{m} @ 90^\circ$

Straight rods, min length = dia. of opening plus 50.



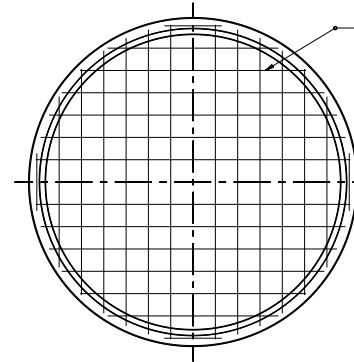
**DETAIL A**

**COVER CAP FOR PRECAST CONCRETE MANHOLE SECTION**



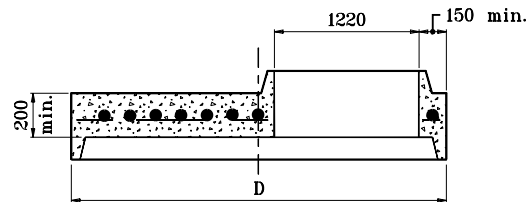
Section Dia.	H
1530	1830
1830	2190
2440	2900
2590	3080
2740	3250

Min. steel area  $250 \text{ mm}^2/\text{m}$  of width in both directions.  
Rebar or wire mesh equivalent.



**DETAIL C**

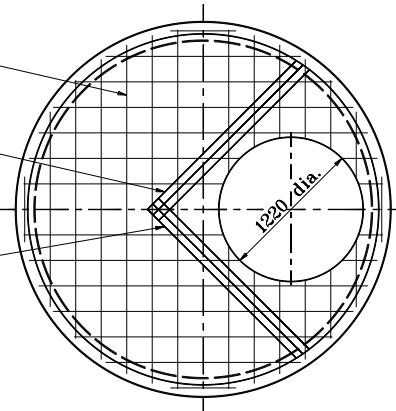
**BASE FOR PRECAST CONCRETE MANHOLE SECTIONS (1500 to 2700 DIA.)**



Min. steel area  $250 \text{ mm}^2/\text{m}$  of width in both directions.

Opening additionally reinforced with equivalent of  $430 \text{ mm}^2/\text{m} @ 90^\circ$

Straight rods, min length = dia. of opening plus 50.



**DETAIL B**

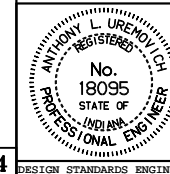
**REDUCER CAP FOR PRECAST MANHOLE SECTIONS (1500 to 2700 DIA.)**

Section Dia.	D
1530	1830
1830	2190
2440	2900
2590	3080
2740	3250

All dimensions are in mm unless otherwise specified.

INDIANA DEPARTMENT OF TRANSPORTATION  
**PRECAST CONCRETE MANHOLE SECTIONS**  
APRIL 1995

STANDARD DRAWING NO. **720-MHST-06**



/s/ Anthony L. Uremovich 4/03/95  
DESIGN STANDARDS ENGINEER DATE

/s/ Donald W. Lucas 4/03/95  
CHIEF HIGHWAY ENGINEER DATE

Source Sheet: **MD4**