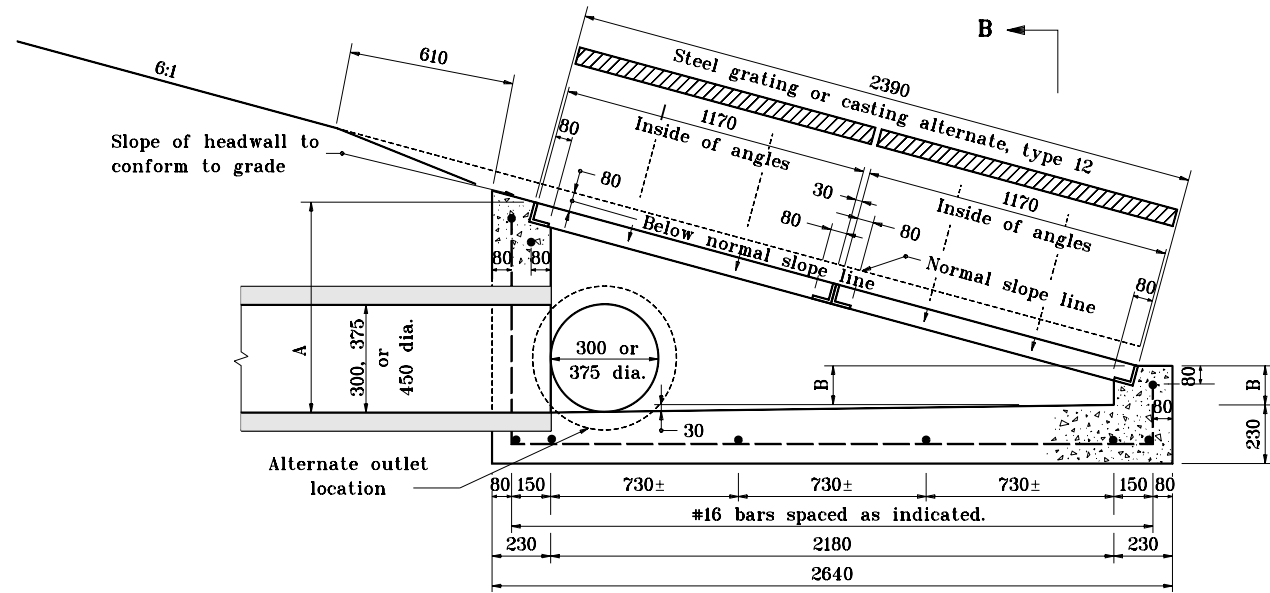
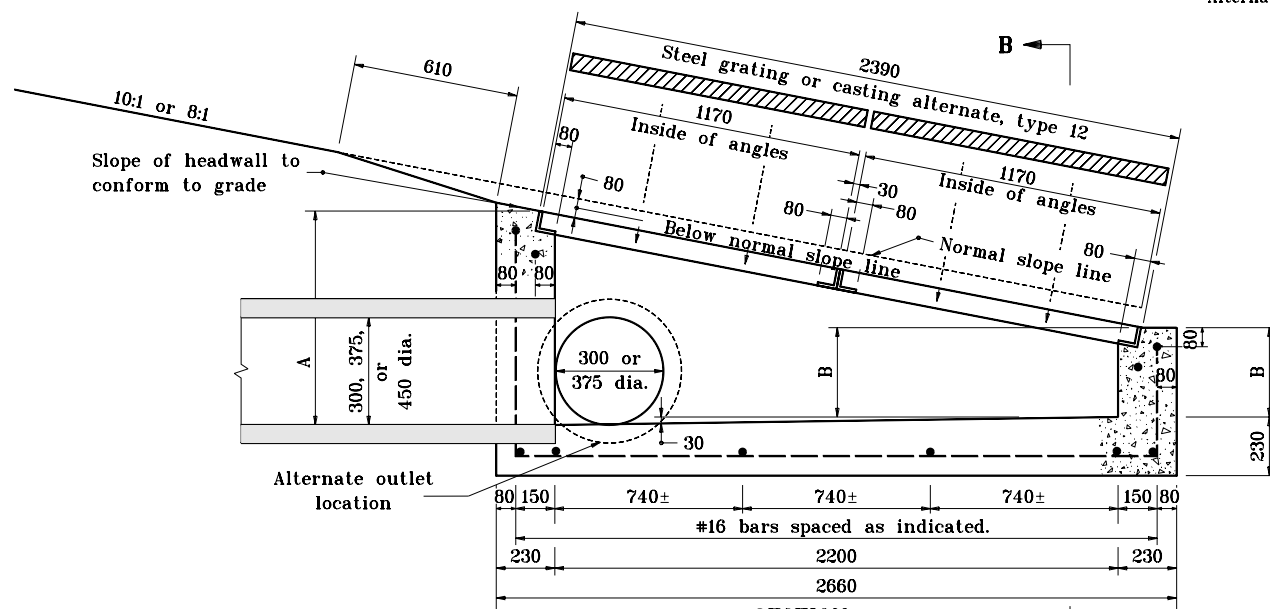


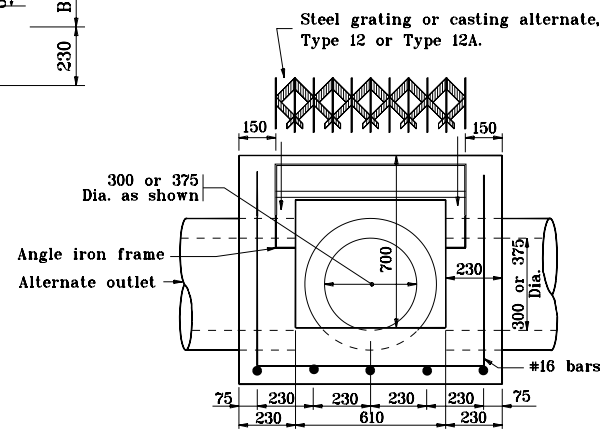
TYPE N INLET						
PIPE SIZE	6:1		8:1		10:1	
	A	B	A	B	A	B
300	550	130	550	220	550	280
375	630	210	630	310	630	370
450	710	290	710	390	710	450



**SECTION A-A**  
Showing Grate Slope of 6:1



**SECTION A-A**  
Showing Grate Slope of 8:1 or 10:1



**SECTION B-B**

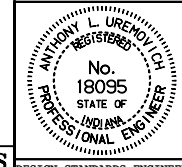
All dimensions are in mm unless otherwise specified.

INDIANA DEPARTMENT OF TRANSPORTATION

**INLET TYPE N**

MAY 1998

STANDARD DRAWING NO. **720-INST-08**



/s/ Anthony L. Uremovich 5-01-98  
DESIGN STANDARDS ENGINEER DATE

/s/ Donald W. Lucas 5-01-98  
CHIEF HIGHWAY ENGINEER DATE

Source Sheet: **MS**