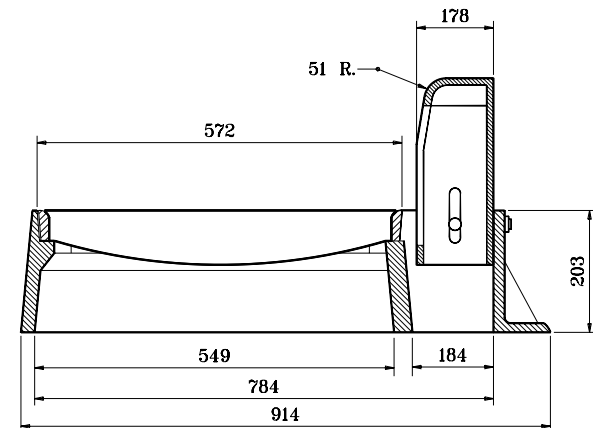
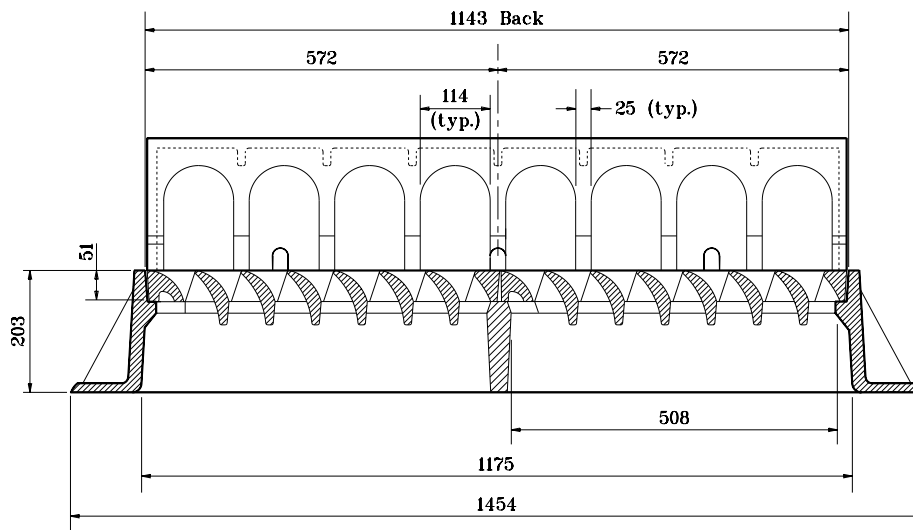


**GENERAL NOTES**

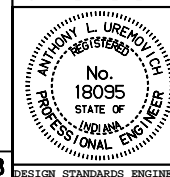
1. Curb adjustment 140 to 241



All dimensions are in mm unless otherwise specified.

INDIANA DEPARTMENT OF TRANSPORTATION  
**CASTING TYPE 15 (ALTERNATE)**  
**FRAME, GRATE, AND CURB BOX**  
 SEPTEMBER 1998

STANDARD DRAWING NO. **720-ICCA-19**



*/s/ Anthony L. Uremovich* 9-01-98  
 DESIGN STANDARDS ENGINEER DATE

*/s/ Donald W. Lucas* 9-01-98  
 CHIEF HIGHWAY ENGINEER DATE

Source Sheet: **MC3**