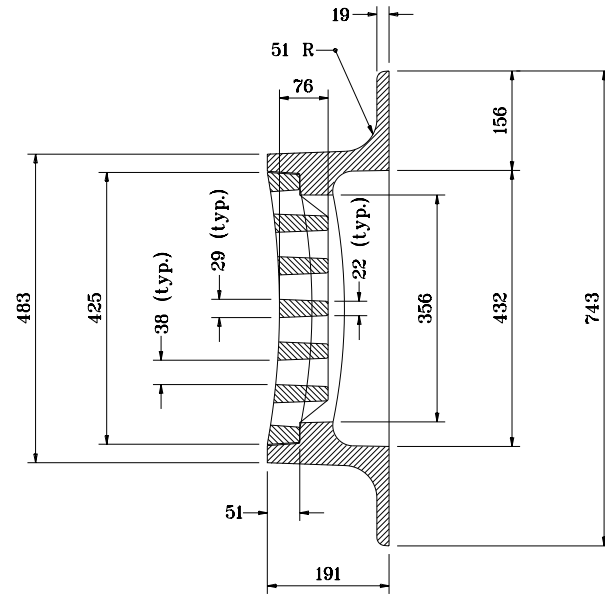
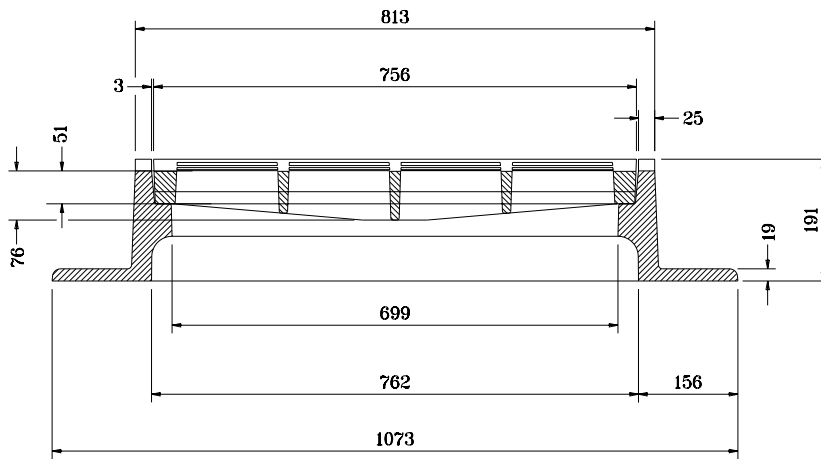


PLAN



SECTION A-A



SECTION B-B

All dimensions are in mm unless otherwise specified.

INDIANA DEPARTMENT OF TRANSPORTATION	
CASTING TYPE 13	
FRAME & GRATE	
SEPTEMBER 1998	
STANDARD DRAWING NO. 720-ICCA-13	
	/s/ Anthony L. Uremovich 9-01-98 DESIGN STANDARDS ENGINEER DATE
	/s/ Donald W. Lucas 9-01-98 CHIEF HIGHWAY ENGINEER DATE

Source Sheet: MC2