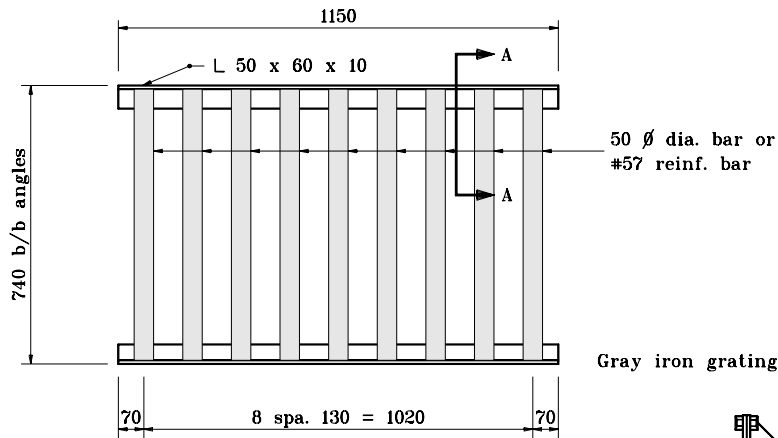
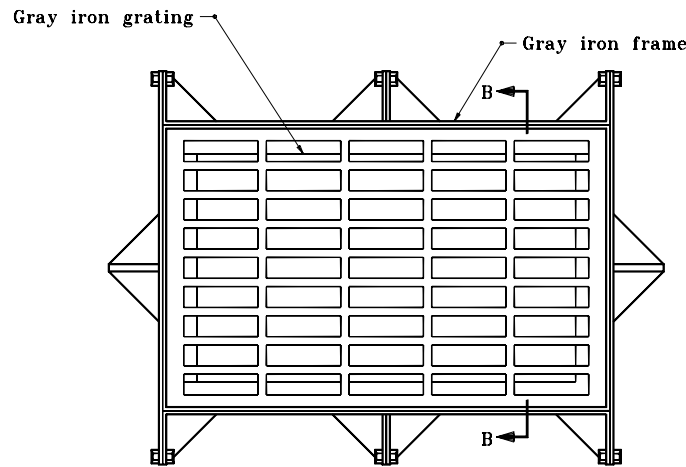


GENERAL NOTES

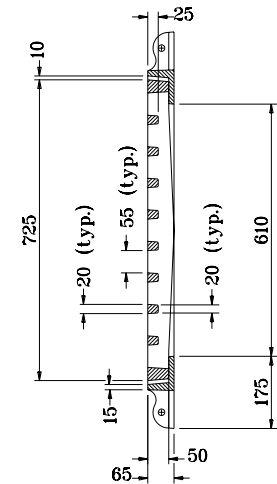
- ① Spacing shall be 50 c. to c. min., and 60 c. to c. max.
- ② The dimensions of the angle iron frame shall be as shown except that the A dimension may vary according to type of grating used.



ALTERNATE STEEL GRATING
(To be used with steel frame type 12 or 12A)



GRATE AND FRAME CASTING
ALTERNATE TYPE 12A



SECTION B-B

All dimensions are in mm unless otherwise specified.

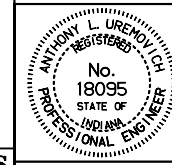
INDIANA DEPARTMENT OF TRANSPORTATION

STEEL GRATING TYPE 12A

FRAME AND GRATE

SEPTEMBER 1998

STANDARD DRAWING NO. **720-ICCA-12**

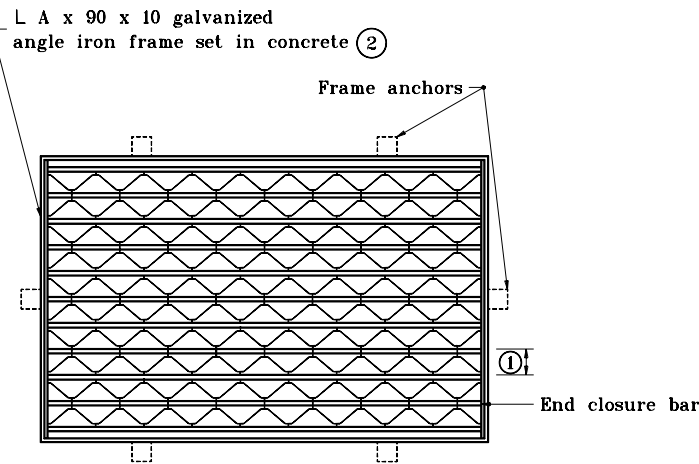


/s/ Anthony L. Uremovich 9-01-98
DESIGN STANDARDS ENGINEER DATE

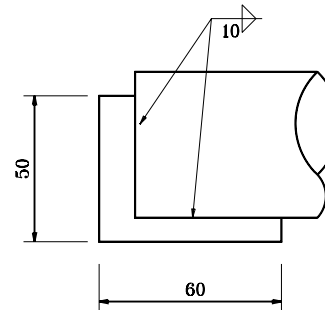
/s/ Donald W. Lucas 9-01-98
CHIEF HIGHWAY ENGINEER DATE

Source Sheet: **MS**

DESIGN STANDARDS ENGINEER



STEEL GRATING AND
FRAME TYPE 12A



SECTION A-A