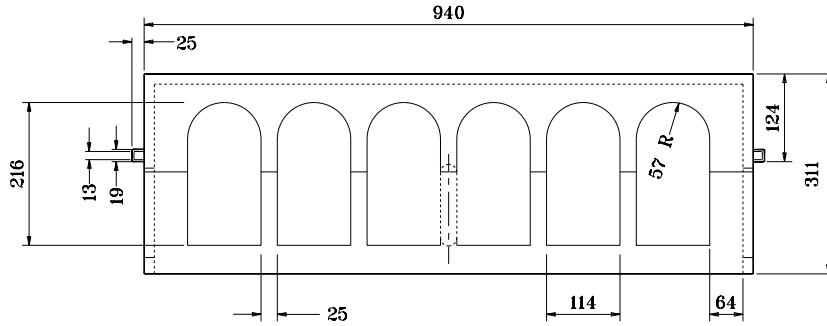
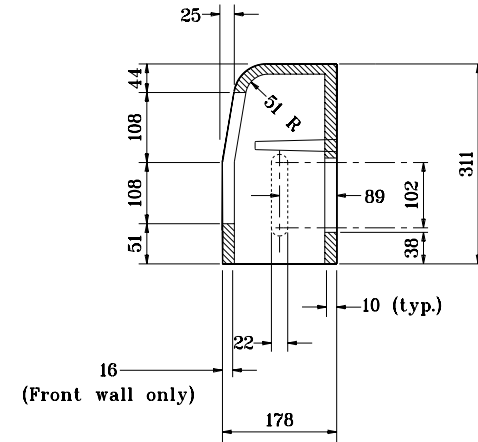


GENERAL NOTES

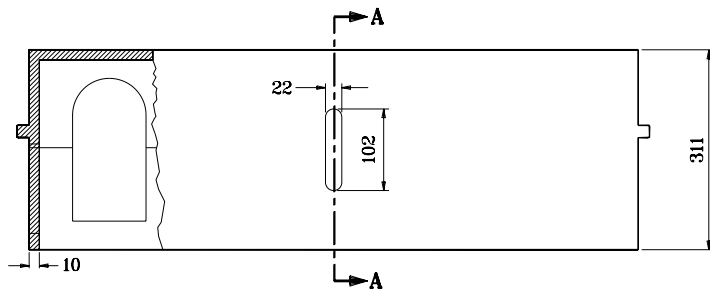
1. Curb box adjustable
133 to 222.



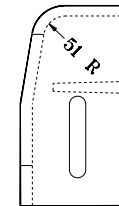
FRONT



SECTION A-A



BACK



SIDE

All dimensions are in mm unless otherwise specified.

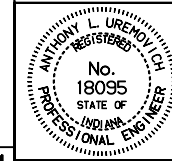
INDIANA DEPARTMENT OF TRANSPORTATION

CASTING TYPE 10

CURB BOX

SEPTEMBER 1998

STANDARD DRAWING NO. 720-ICCA-09A



/s/ Anthony L. Uremovich 9-01-98
DESIGN STANDARDS ENGINEER DATE

/s/ Donald W. Lucas 9-01-98
CHIEF HIGHWAY ENGINEER DATE

Source Sheet: MCI

DESIGN STANDARDS ENGINEER