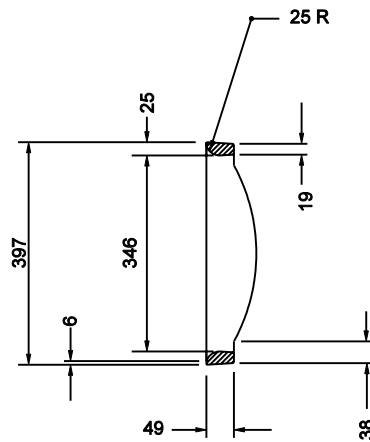
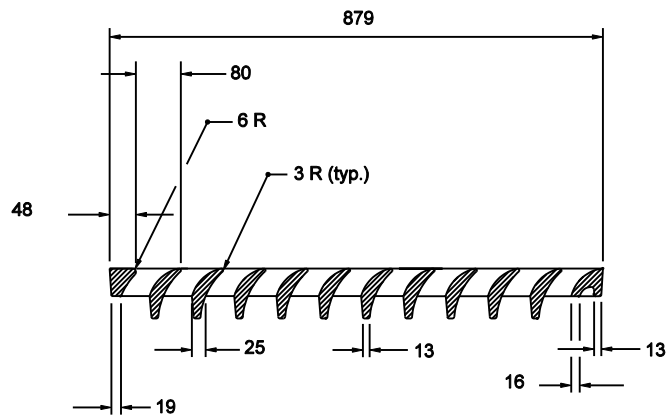


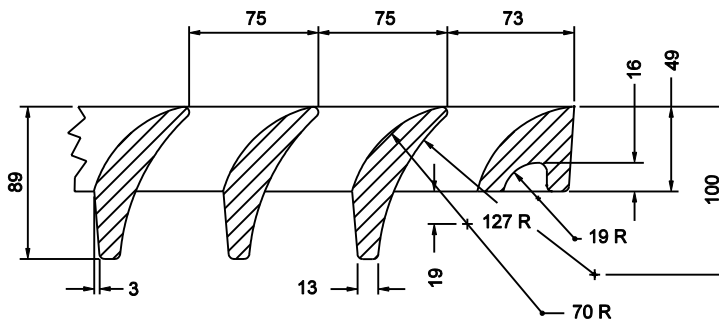
PLAN



SECTION B-B



SECTION A-A



DETAIL OF SECTION A-A

**GRATE
CASTING TYPE 10**

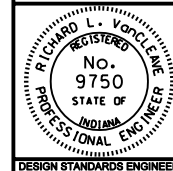
All Dimension are in mm unless otherwise specified

INDIANA DEPARTMENT OF TRANSPORTATION

**CASTING TYPE 10
GRATE**

SEPTEMBER 2003

STANDARD DRAWING NO. 720-ICCA-09



/s/ Richard L. VanCleave 9-02-03
DESIGN STANDARDS ENGINEER DATE

/s/ Richard K. Smutzer 9-02-03
CHIEF HIGHWAY ENGINEER DATE

DESIGN STANDARDS ENGINEER