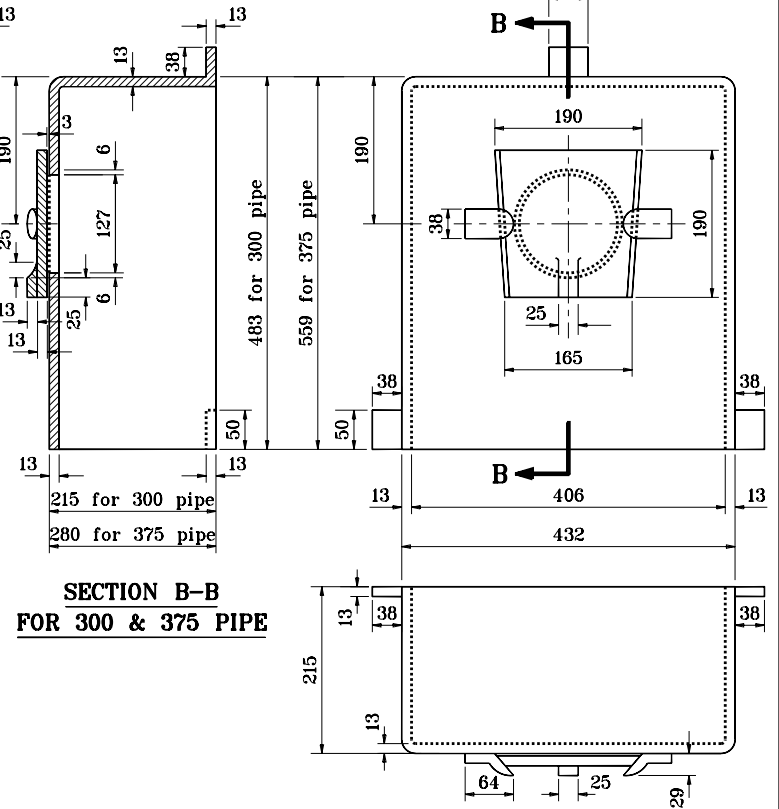


**SECTION A-A
FOR 450 & 600 PIPE**



**SECTION B-B
FOR 300 & 375 PIPE**

GENERAL NOTES

1. Hoods may be cast in one piece or may be built up of electrically welded 13 steel plates. All hoods shall be gas tight. Steel hoods shall be painted with waterproofing asphalt.
2. Hoods shall be omitted on earth ditch type catch basin unless otherwise specified.

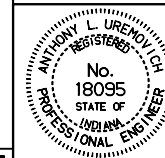
All dimensions are in mm unless otherwise specified.

INDIANA DEPARTMENT OF TRANSPORTATION

CATCH BASIN HOOD

MAY 1998

STANDARD DRAWING NO. 720-CBST-09



/s/ Anthony L. Uremovich 5-01-98
DESIGN STANDARDS ENGINEER DATE

/s/ Donald W. Lucas 5-01-98
CHIEF HIGHWAY ENGINEER DATE

Source Sheet: NONE