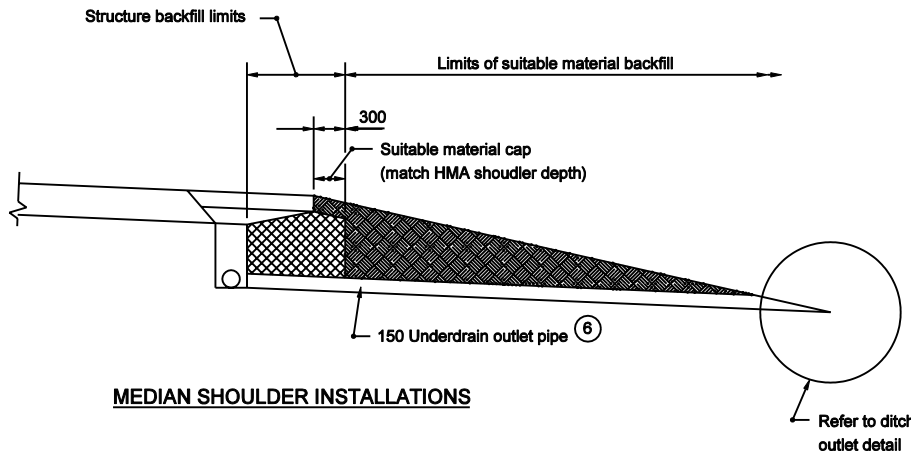
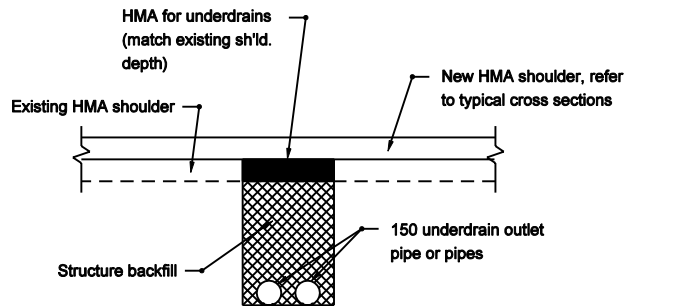


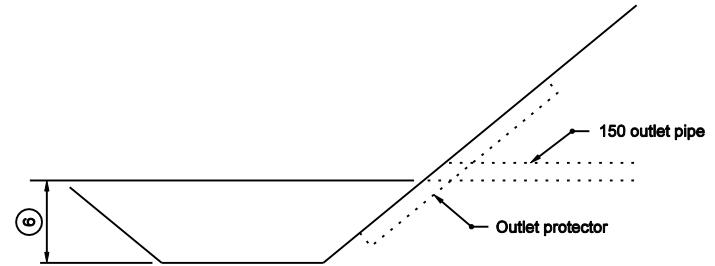
OUTSIDE SHOULDER INSTALLATIONS



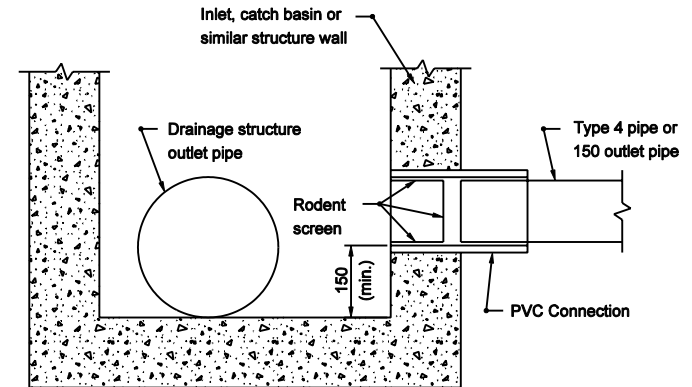
MEDIAN SHOULDER INSTALLATIONS



RETROFIT UNDERDRAIN OUTLET DETAIL (UNDER PAVED SHOULDER)



DITCH OUTLET DETAIL



DRAINAGE STRUCTURE OUTLET DETAIL

NOTE:

- Standard Drawing 718-UNDR-07 for General Notes pertaining to this sheet.

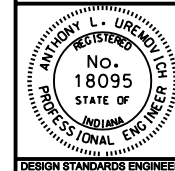
All Dimension are in mm unless otherwise specified

INDIANA DEPARTMENT OF TRANSPORTATION

UNDERDRAIN DETAILS

MARCH 2003

STANDARD DRAWING NO. 718-UNDR-02



/s/ Anthony L. Uremovitch 3-03-03
DESIGN STANDARDS ENGINEER DATE

/s/ Richard K. Smutzer 3-03-03
CHIEF HIGHWAY ENGINEER DATE

DESIGN STANDARDS ENGINEER