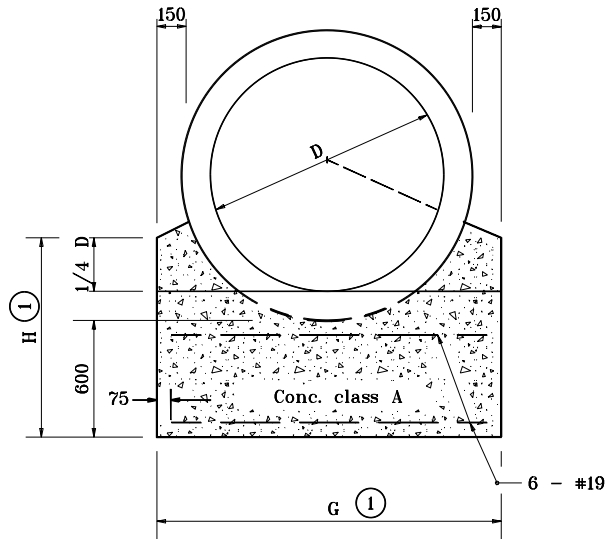
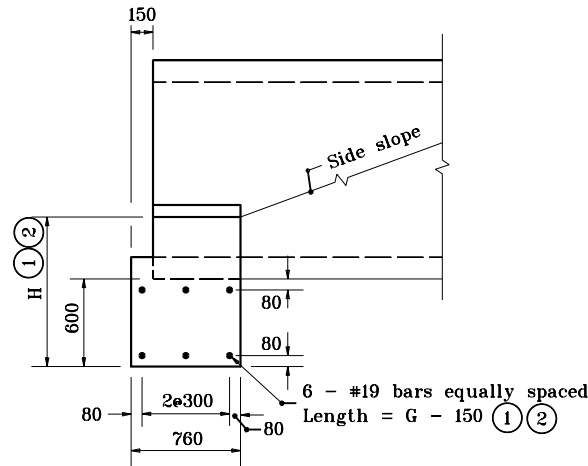


GENERAL NOTES

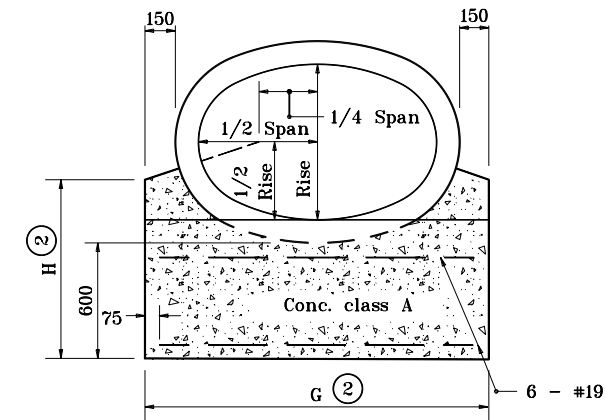
- ① For dimension or enter chart on Standard Drawing 715-ANCH-01 with known dimension D.
- ② For dimensions, enter chart on Standard Drawing 715-ANCH-02 with known span and rise.
3. Riprap shall be placed at the ends of pipe structures when shown on plans.



**ANCHOR FOR
REINFORCED CONCRETE PIPE
FRONT ELEVATION**



SIDE ELEVATION



**ANCHOR FOR
REINFORCED CONCRETE HORIZONTAL ELLIPTICAL PIPE
FRONT ELEVATION**

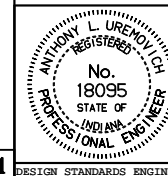
All dimensions are in mm unless otherwise specified.

INDIANA DEPARTMENT OF TRANSPORTATION

**SINGLE PIPE
CONCRETE ANCHOR**

JANUARY 1998

STANDARD DRAWING NO. 715-SPCA-02



/s/ Anthony L. Uremovich 1-02-98
DESIGN STANDARDS ENGINEER DATE

/s/ Donald W. Lucas 1-02-98
CHIEF HIGHWAY ENGINEER DATE

Source Sheet: ME1