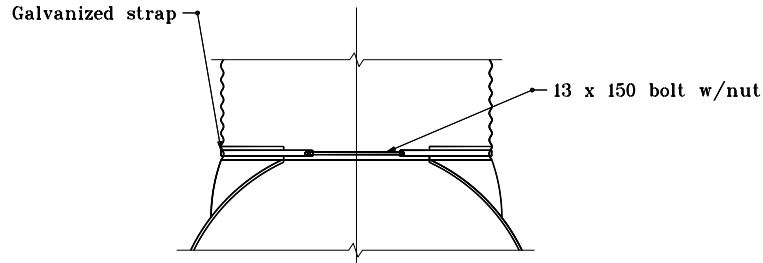


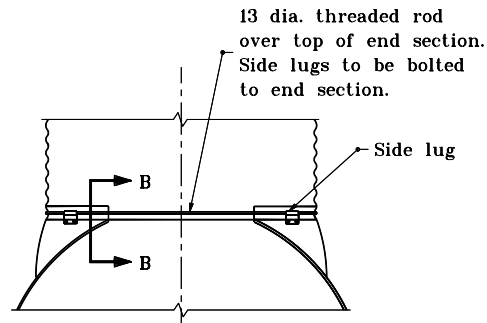
GENERAL NOTES

1. For circular pipe diameters through 600, attach end section to pipe with type 1 connector. For all other sizes, attach end section to pipe with type 2 connector.



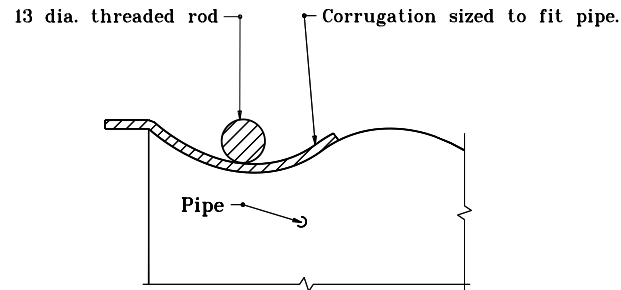
TYPE 1 CONNECTOR DETAIL

Through 600 dia.



TYPE 2 CONNECTOR DETAIL

For all circular pipes larger than 600
and all pipe-arches



SECTION B-B

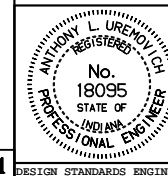
All dimensions are in mm unless otherwise specified.

INDIANA DEPARTMENT OF TRANSPORTATION

**SAFETY METAL CULVERT END
SECTIONS FOR CORRUGATED PIPE**

JANUARY 1998

STANDARD DRAWING NO. 715-SMES-03



/s/ Anthony L. Uremovich 1-02-98
DESIGN STANDARDS ENGINEER DATE

/s/ Donald W. Lucas 1-02-98
CHIEF HIGHWAY ENGINEER DATE

Source Sheet: SMES1