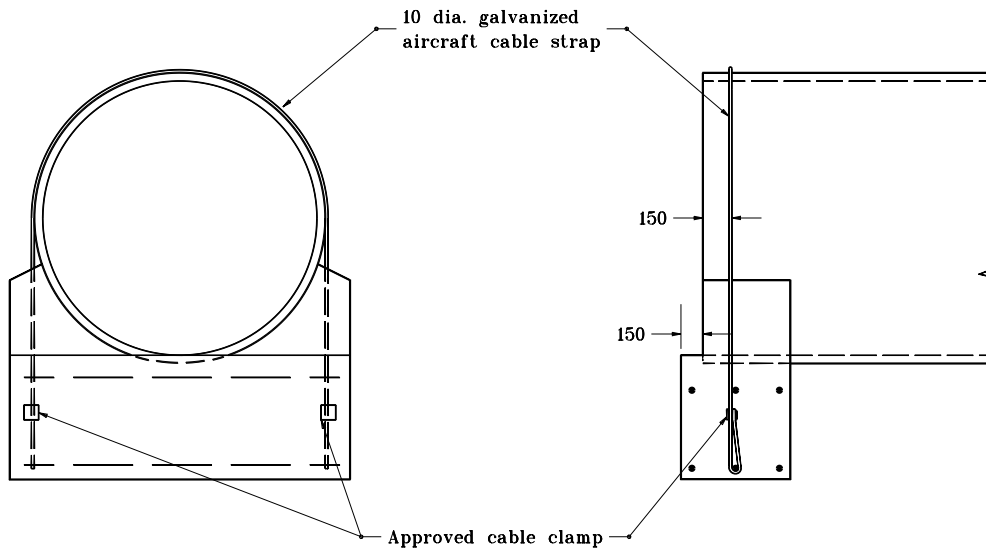


#19 REINFORCING BAR STRAP DETAILS



10 mm AIRCRAFT CABLE STRAP DETAILS

GENERAL NOTES

1. Anchor straps shall be used at both upstream and downstream ends of all C.A., C.S., and structural plate pipes and pipe arches with a diameter or span of 1050 mm or greater.
2. Hook bolts and anchor straps shall be used at both upstream and downstream ends of all C.A., C.S., and structural plate pipes and pipe arches with a diameter or span of 2100 mm or greater.
3. See Standard Drawing 715-PAHB-01 for hook bolt details.
4. Riprap shall be placed at the ends of pipe structures when shown on the plans.

All dimensions are in mm unless otherwise specified.

INDIANA DEPARTMENT OF TRANSPORTATION	
PIPE ANCHOR STRAP DETAILS	
JANUARY 1998	
STANDARD DRAWING NO. 715-PASD-01	
	/s/ Anthony L. Uremovich 1-02-98 <small>DESIGN STANDARDS ENGINEER DATE</small>
	/s/ Donald W. Lucas 1-02-98 <small>CHIEF HIGHWAY ENGINEER DATE</small>

Source Sheet: **ME1**