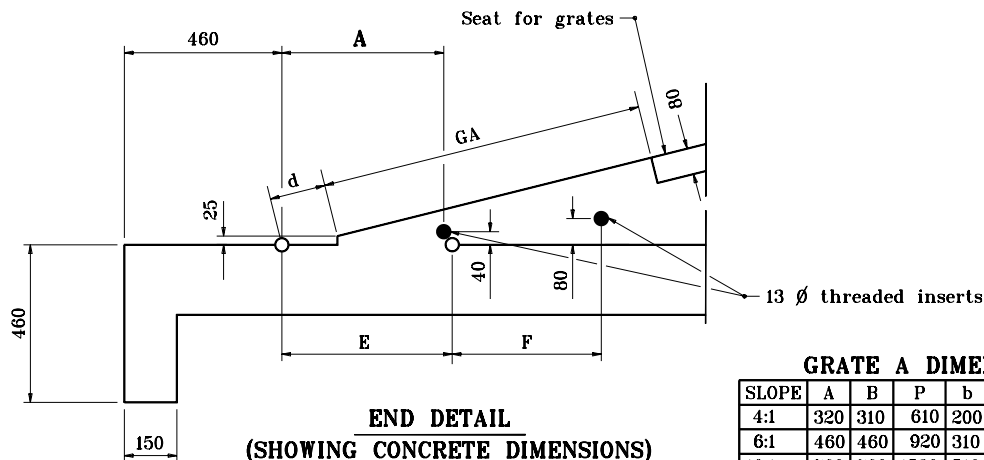


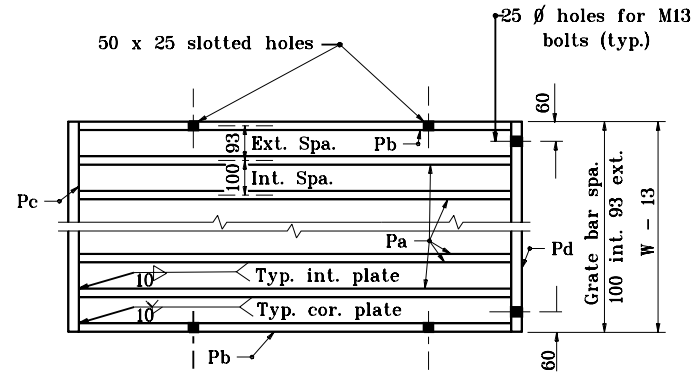
GRATE B & C



**END DETAIL
(SHOWING CONCRETE DIMENSIONS)**

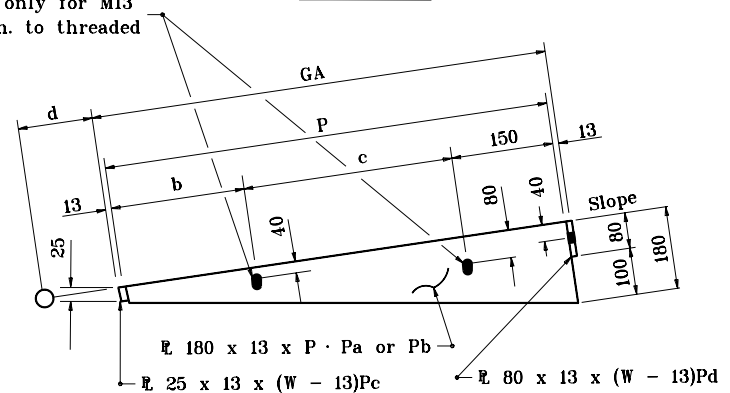
GRATE A DIMENSIONS TABLE

SLOPE	A	B	P	b	c	d	E	F	G
4:1	320	310	610	200	250	100	320	250	640
6:1	460	460	920	310	460	150	470	460	940
10:1	760	760	1520	510	860	250	780	860	1550



PLAN VIEW

25 x 50 slotted hole in R₁ Pb only for M13 bolt conn. to threaded inserts.



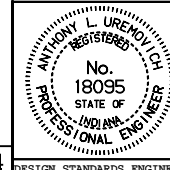
**ELEVATION
GRATE A**

All dimensions are in mm unless otherwise specified.

INDIANA DEPARTMENT OF TRANSPORTATION

**GRATED BOX END SECTION
TYPE II**
JANUARY 1999

STANDARD DRAWING NO. 715-GBTT-04



/s/ Anthony L. Uremovich 1-04-99
DESIGN STANDARDS ENGINEER DATE

/s/ Donald W. Lucas 1-04-99
CHIEF HIGHWAY ENGINEER DATE