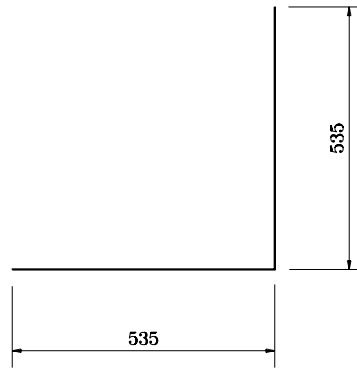
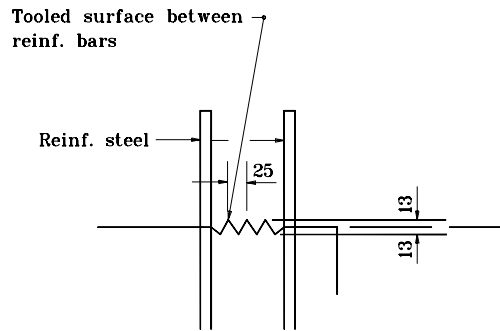


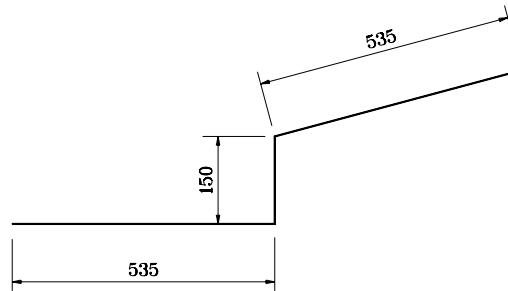
**OPTIONAL SHOP SPLICE**



**1601 x 1220**



**TYPE A CONSTRUCTION JOINT**



**1602 x 1145**

All dimensions are in mm unless otherwise specified.

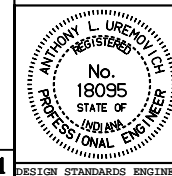
INDIANA DEPARTMENT OF TRANSPORTATION

**GRATED BOX END SECTION**

**TYPE I**

JANUARY 1999

STANDARD DRAWING NO. **715-GBTO-02**



/s/ Anthony L. Uremovich 1-04-99  
DESIGN STANDARDS ENGINEER DATE

/s/ Donald W. Lucas 1-04-99  
CHIEF HIGHWAY ENGINEER DATE

Source Sheet: GBES 1