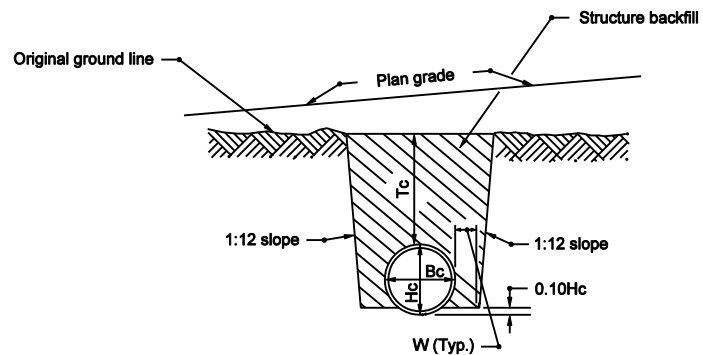


**SECTION B-B
ROCK FOUNDATION**

NOTE

1. Refer to Standard Drawing 715-BKFL-09 for general notes.



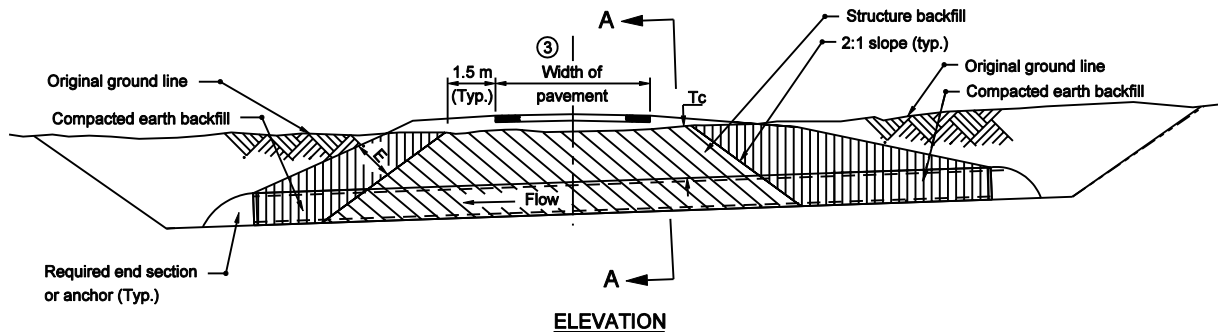
SECTION B-B

LEGEND

- Hc = Overall diameter or rise (Typ.)
- Bc = Overall diameter or span
- A = 200 min. for fill height up to 5.0 m
= 0.3 min. for fill height of 5.0 m or more
- Tc = Trench cover depth
- W = 0.3 Bc or 230, whichever is greater
- ⑦ E = Encasement

METHOD 1 BACKFILL

Structures under mainline pavement and public road approaches.



ELEVATION

All Dimension are in mm unless otherwise specified

INDIANA DEPARTMENT OF TRANSPORTATION									
PIPE STRUCTURE BACKFILL TRENCH INSTALLATIONS									
MARCH 2003									
STANDARD DRAWING NO. 715-BKFL-03									
	<table style="width: 100%; border: none;"> <tr> <td style="border: none;">/s/ Anthony L. Uremovich</td> <td style="border: none; text-align: right;">3-03-03</td> </tr> <tr> <td style="border: none;">DESIGN STANDARDS ENGINEER</td> <td style="border: none; text-align: right;">DATE</td> </tr> <tr> <td style="border: none;">/s/ Richard K. Smutzer</td> <td style="border: none; text-align: right;">3-03-03</td> </tr> <tr> <td style="border: none;">CHIEF HIGHWAY ENGINEER</td> <td style="border: none; text-align: right;">DATE</td> </tr> </table>	/s/ Anthony L. Uremovich	3-03-03	DESIGN STANDARDS ENGINEER	DATE	/s/ Richard K. Smutzer	3-03-03	CHIEF HIGHWAY ENGINEER	DATE
/s/ Anthony L. Uremovich	3-03-03								
DESIGN STANDARDS ENGINEER	DATE								
/s/ Richard K. Smutzer	3-03-03								
CHIEF HIGHWAY ENGINEER	DATE								
DESIGN STANDARDS ENGINEER									