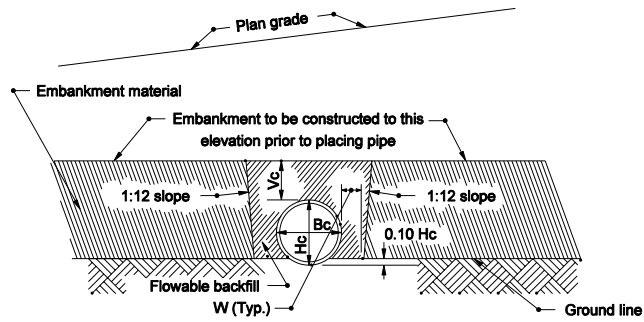
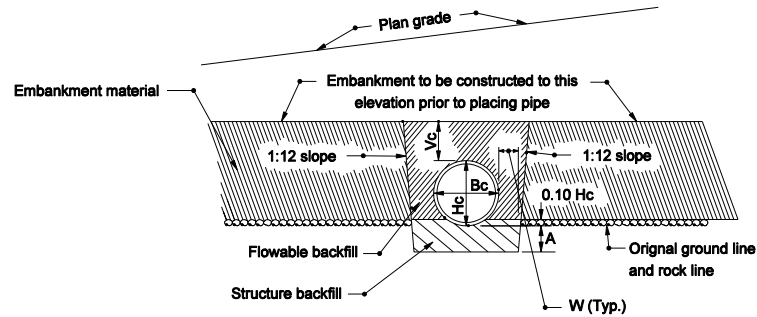


NOTE

1. Refer to Standard Drawing 715-BKFL-09 for general notes.



SECTION A-A



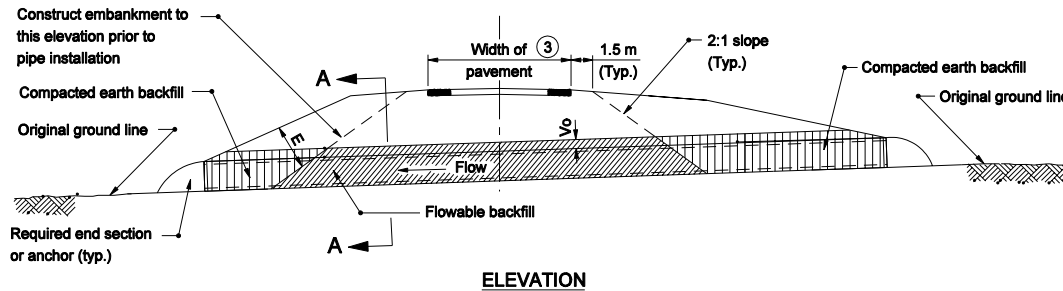
**SECTION A-A
ROCK FOUNDATION**

LEGEND

- Hc = Overall diameter or rise
- Bc = Overall diameter or span
- A = 200 min. for fill height up to 5.0 m
= 300 min. for fill height of 5.0 m or more
- Vc = 300 for Bc ≤ 450
= 500 for Bc > 450
- W = 150 for Bc ≤ 525
= 0.3 Bc for 525 < Bc ≤ 1050
= 300 for Bc > 1050
- ⑦ E = Encasement

METHOD 1 BACKFILL

Structures under mainline pavement and public road approaches.



ELEVATION

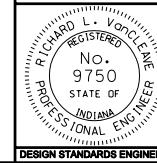
All Dimension are in mm unless otherwise specified

INDIANA DEPARTMENT OF TRANSPORTATION

**PIPE STRUCTURE BACKFILL
EMBANKMENT INSTALLATIONS**

MARCH 2005

STANDARD DRAWING NO. 715-BKFL-02



/s/ Richard L. VanCleave 3-01-05

DESIGN STANDARDS ENGINEER DATE

/s/ Richard K. Smutzer 3-01-05

CHIEF HIGHWAY ENGINEER DATE

DESIGN STANDARDS ENGINEER