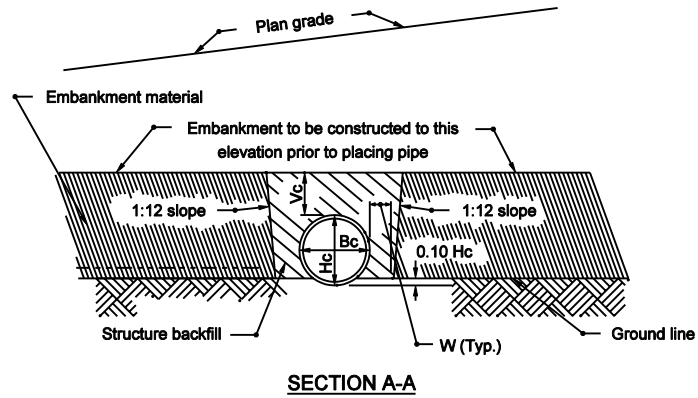
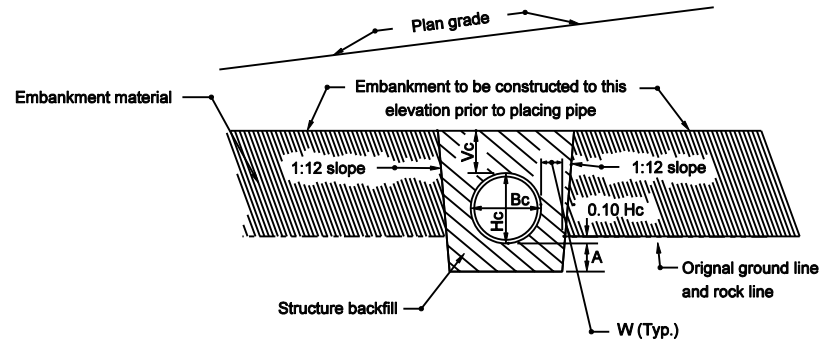


NOTE

1. Refer to Standard Drawing 715-BKFL-09 for general notes.



SECTION A-A



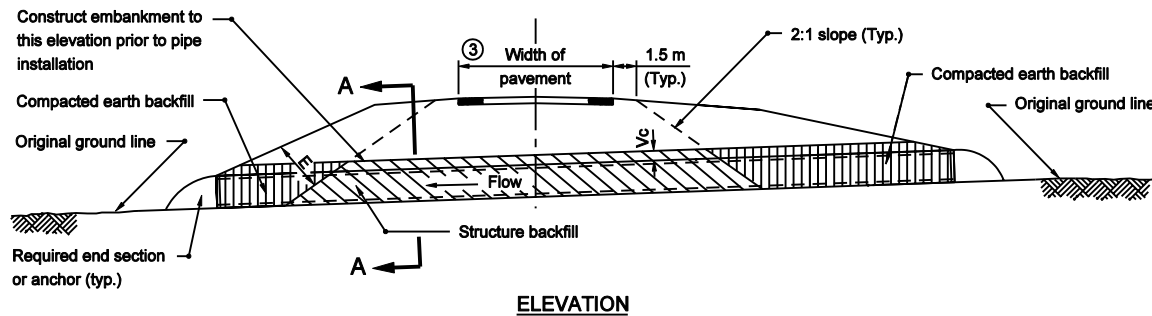
**SECTION A-A
ROCK FOUNDATION**

LEGEND

- Hc = Overall diameter or rise
- Bc = Overall diameter or span
- A = 200 min. for fill height up to 5.0 m
= 300 min. for fill height of 5.0 m or more
- Vc = 300 for Bc ≤ 450
= 500 for Bc > 450
- W = 0.3 Bc or 230, whichever is greater
- ⑦ E = Encasement

METHOD 1 BACKFILL

Structures under mainline pavement and public road approaches.



ELEVATION

All Dimension are in mm unless otherwise specified

INDIANA DEPARTMENT OF TRANSPORTATION	
PIPE STRUCTURE BACKFILL EMBANKMENT INSTALLATIONS	
MARCH 2003	
STANDARD DRAWING NO. 715-BKFL-01	
	/s/ Anthony L. Uremovich DESIGN STANDARDS ENGINEER
	3-03-03 DATE
	/s/ Richard K. Smutzer CHIEF HIGHWAY ENGINEER
	3-03-03 DATE
DESIGN STANDARDS ENGINEER	