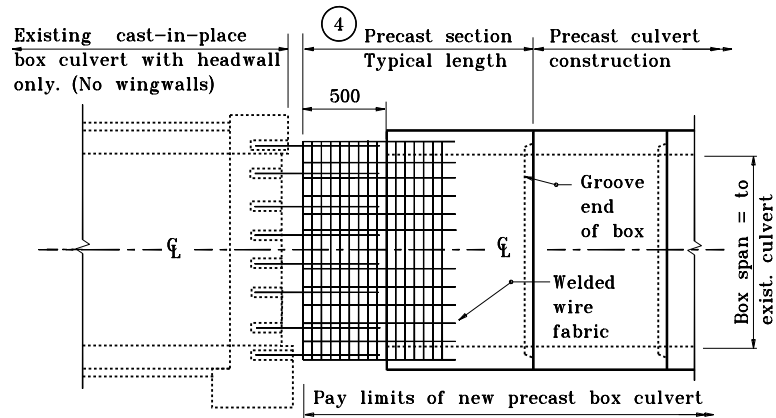


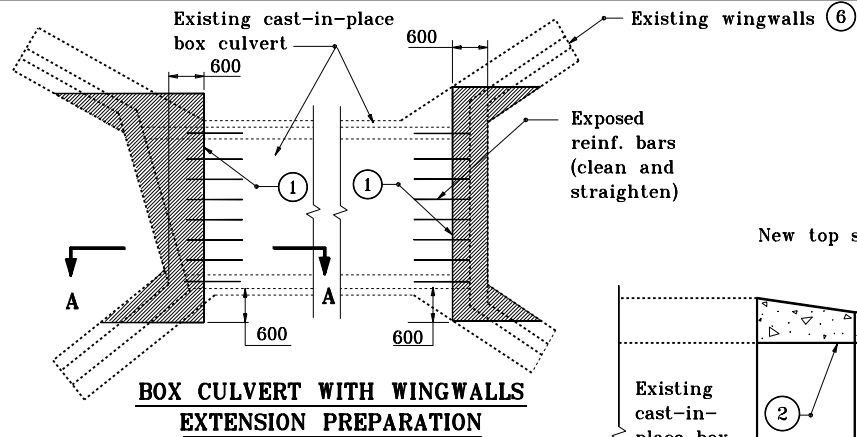
SECTION A-A CONNECTION VIEW



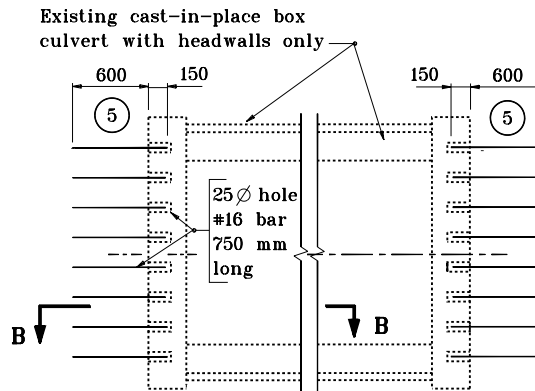
SECTION B-B CONNECTION VIEW

NOTES:

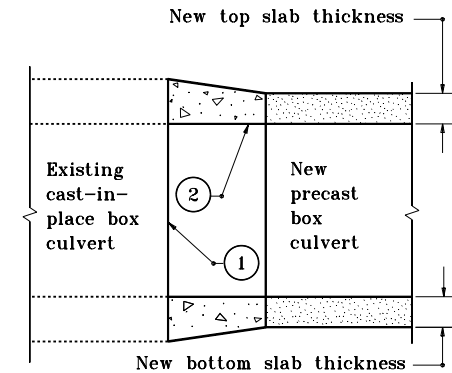
- ① Before removing existing concrete, saw around the perimeter of the removal area on the interior and exterior of the culvert barrel a depth of 25 mm.
- ② Exposed longitudinal steel in existing culvert shall be lapped 500 mm with exposed mesh in precast box culvert.
- ③ Clean and straighten old bars in sidewalls, top and bottom slabs. Cut existing bars off 25 mm from face of precast element.
- ④ Reinforcing mesh in the precast box culvert shall be exposed on the tongue end of box. Box culvert with exposed welded wire fabric for 500 mm length shall be special order.
- ⑤ The holes for dowels shall be drilled along the perimeter of existing headwall a minimum of 150 mm into old concrete and the dowels firmly set in an approved chemical anchor system.
- ⑥ Remove existing wings as necessary.



**BOX CULVERT WITH WINGWALLS
EXTENSION PREPARATION**



**BOX CULVERT WITH HEADWALLS ONLY
EXTENSION PREPARATION**



**SECTION A-A AND B-B
(Showing cast-in-place section)**

LEGEND :

- Removals
- Existing structures
- New elements or structures

All dimensions are in mm unless otherwise specified.

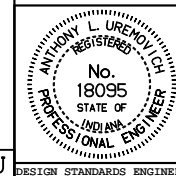
INDIANA DEPARTMENT OF TRANSPORTATION

PRECAST BOX

CULVERT EXTENSION

JANUARY 1998

STANDARD DRAWING NO. 714-BCEX-01



/s/ Anthony L. Uremovich 1-02-98
DESIGN STANDARDS ENGINEER DATE

/s/ Donald W. Lucas 1-02-98
CHIEF HIGHWAY ENGINEER DATE

Source Sheet: MU