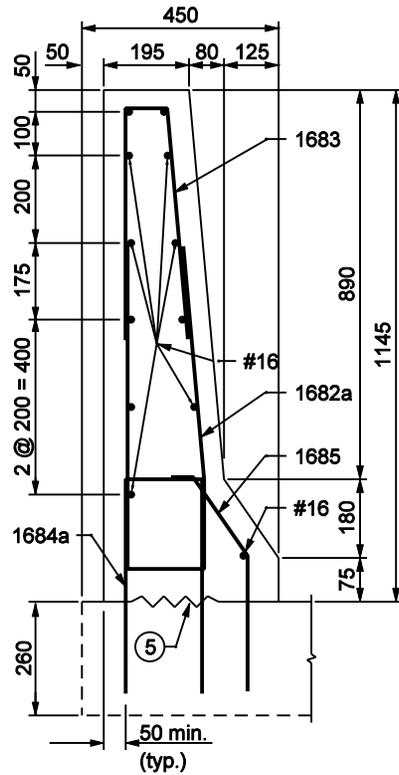
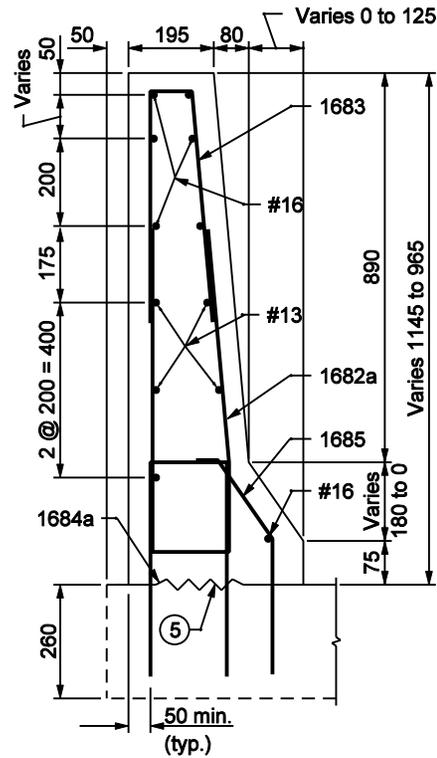


NOTES:

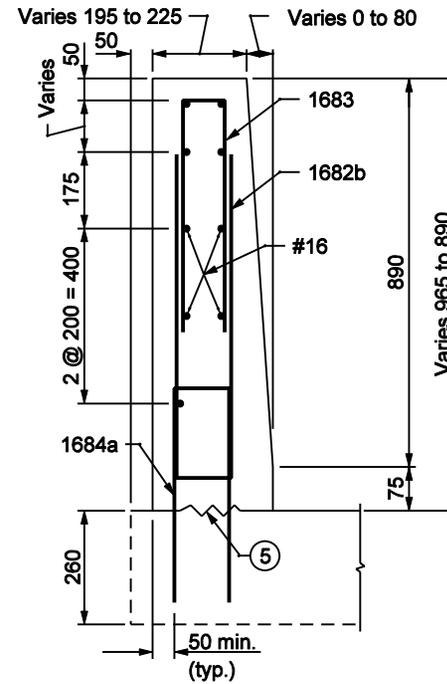
1. See Standard Drawing 706-TASE-05 for General Notes.



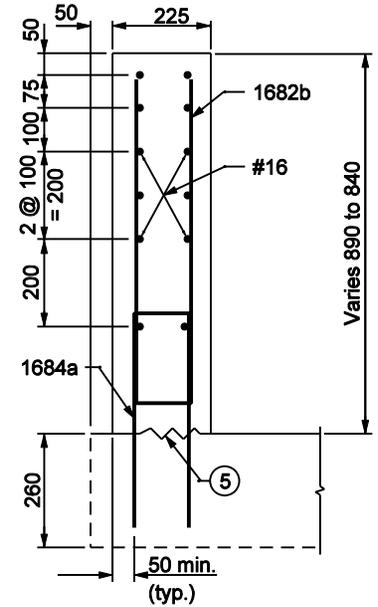
SECTION A-A



SECTION B-B



SECTION C-C



SECTION D-D

**1145 TRUCK HEIGHT THRIE BEAM/
CONCRETE BRIDGE RAILING TRANSITION**

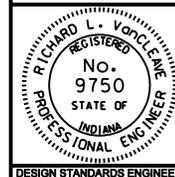
All Dimension are in mm unless otherwise specified

INDIANA DEPARTMENT OF TRANSPORTATION

**CONCRETE BRIDGE RAILING
TRANSITION TYPE TBT**

MARCH 2003

STANDARD DRAWING NO. 706-TTBT-02



/s/ Richard L. VanCleave 3-03-03
DESIGN STANDARDS ENGINEER DATE

/s/ Richard K. Smutzer 3-03-03
CHIEF HIGHWAY ENGINEER DATE

DESIGN STANDARDS ENGINEER