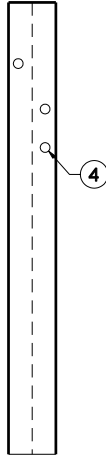
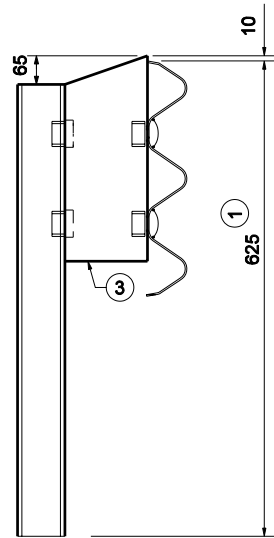


FRONT VIEW



BACK VIEW

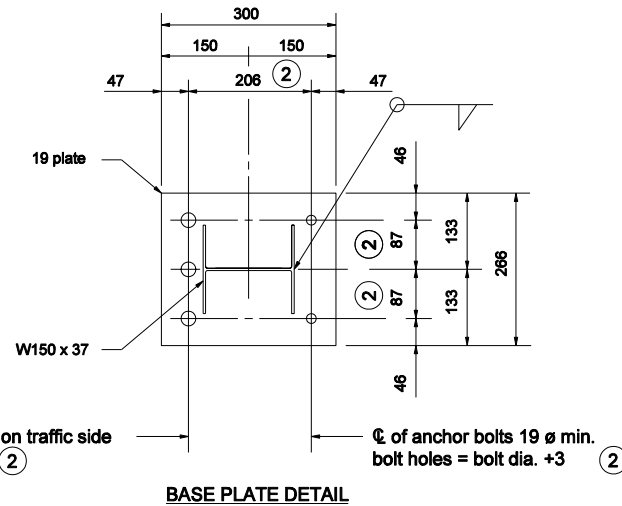


SIDE VIEW

W 150 x 37 POST DETAILS FOR CURB MOUNTED POSTS

NOTE:

- ① Adjust the post length for thrie beam height above the deck.
- ② Locations of bolt holes on base plate shall match locations of existing anchor bolts.
- ③ See Standrad Drawing 706-TBRF-02 for breakout details.
- ④ All holes drilled or punched to 19 dia.



⌀ of anchor bolts 19 ⌀ min. on traffic side
bolt holes = bolt dia. +6 ②

⌀ of anchor bolts 19 ⌀ min.
bolt holes = bolt dia. +3 ②

BASE PLATE DETAIL

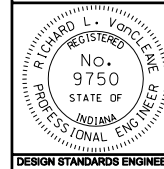
All dimension are in mm unless otherwise specified

INDIANA DEPARTMENT OF TRANSPORTATION

**RETROFIT THRIE BEAM BRIDGE
RAILING TR COMPONENTS**

MARCH 2005

STANDARD DRAWING NO. 706-TBRC-03



/s/ Richard L. VanCleave 3-01-05
DESIGN STANDARDS ENGINEER DATE

/s/ Richard K. Smutzer 3-01-05
CHIEF HIGHWAY ENGINEER DATE

DESIGN STANDARDS ENGINEER