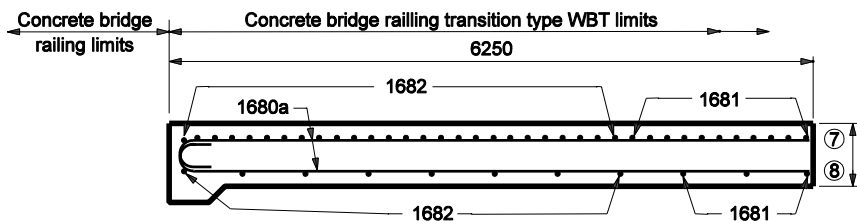


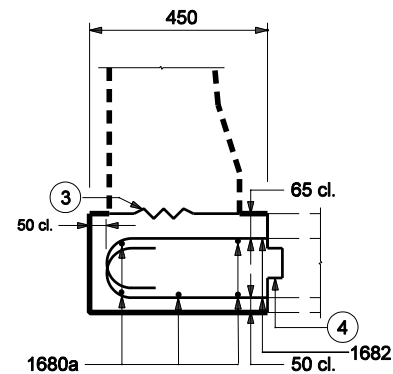
PLAN



SECTION F-F

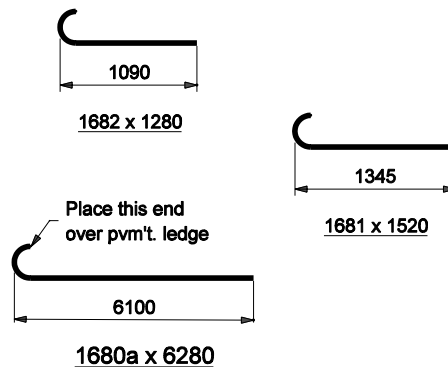
NOTES:

1. See Standard Drawing 706-TASE-05 for General Notes.



SECTION E-E

BILL OF MATERIALS			
These quantities are for one approach slab extension.			
EPOXY COATED REINFORCING STEEL			
Size & type	No. of Bars	Length	Weight (lb)
1680a	5	6280	
1681	12	1520	
1682	40	1280	
#16	2	1270	
Total #16 Bars			160
Total Epoxy Coated Steel			160
MISCELLANEOUS			
250 R.C. Pvmt.			3.2 m ²



All dimensions are in mm unless otherwise specified

INDIANA DEPARTMENT OF TRANSPORTATION

**BRIDGE RAILING TRANSITION
WBT SLAB EXTENSION**

SEPTEMBER 2004

STANDARD DRAWING NO. 706-TASE-04

	/s/ Richard L. VanCleave	9-01-04
	DESIGN STANDARDS ENGINEER	DATE
	/s/ Richard K. Smutzer	9-01-04
	CHIEF HIGHWAY ENGINEER	DATE

DESIGN STANDARDS ENGINEER