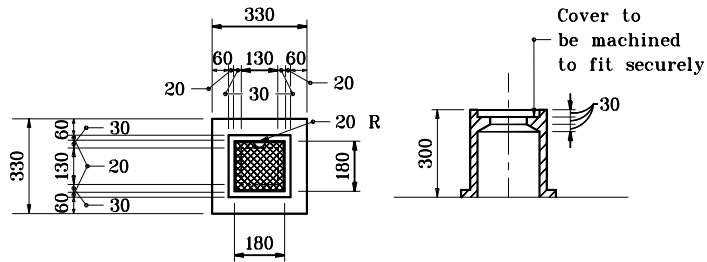


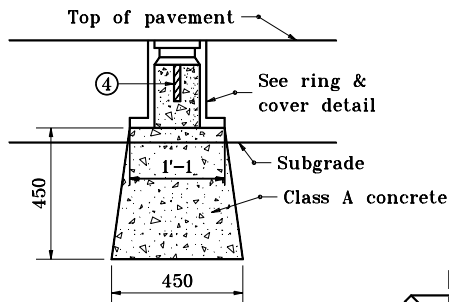
INSTALLATION FOR VITRIFIED BRICK OR BITUMINOUS SURFACE ON CONCRETE BASE (TYPE A)



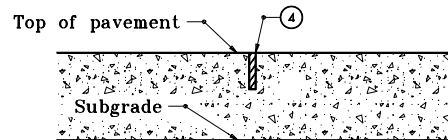
SURVEY LINE MONUMENT RING & COVER

GENERAL NOTES

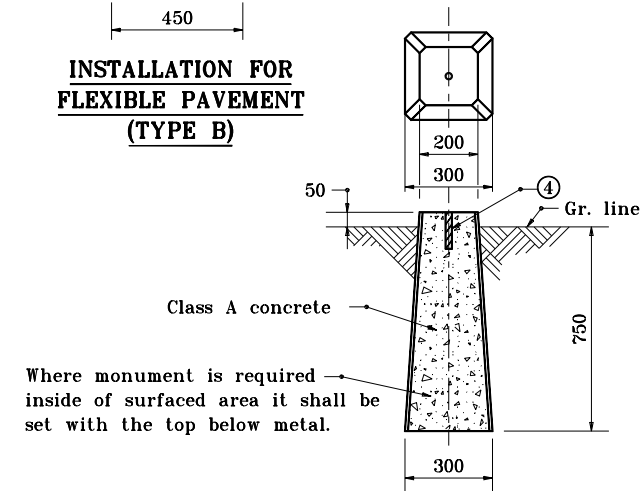
1. Sign shall be white background with black copy.
2. One steel type A or 100 x 100 wood post required.
3. Letter height shall be as follows:
Border: 13 series D
Line 1: 25 series B
Line 2: 25 series B
Line 3: 25 series B
4. 25Ø x 125 steel rod



INSTALLATION FOR FLEXIBLE PAVEMENT (TYPE B)



INSTALLATION FOR CONCRETE PAVEMENT (TYPE D)

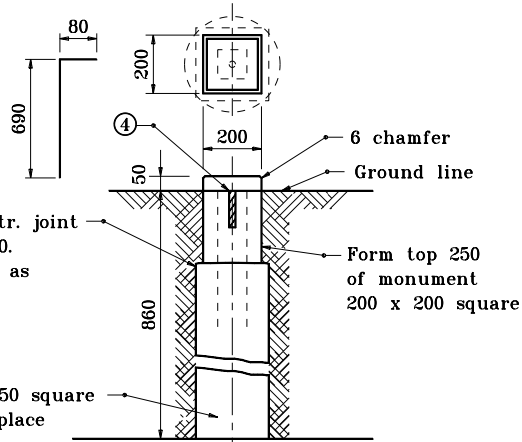


INSTALLATION OUTSIDE OF PAVEMENT (TYPE C)

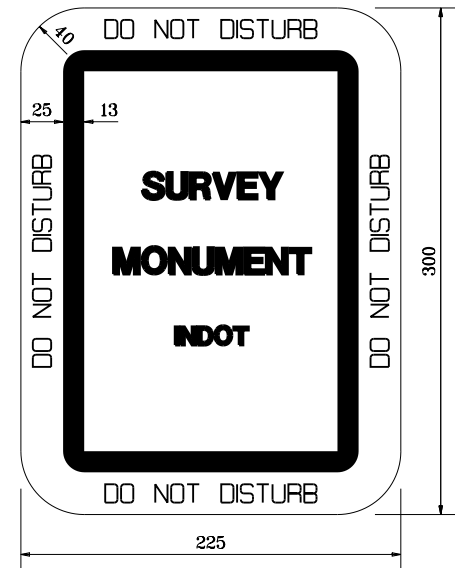
#13 for optional constr. joint

Optional constr. joint
4 - #13 x 760.
Bend in field as shown.

300Ø or 250 x 250 square hole poured in place class C concrete.



OPTIONAL INSTALLATION FOR TYPE C MONUMENT



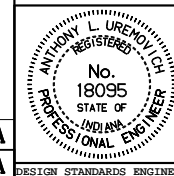
All dimensions are in mm unless otherwise specified.

INDIANA DEPARTMENT OF TRANSPORTATION

SURVEY LINE MONUMENTS

SEPTEMBER 1997

STANDARD DRAWING NO. 615-SLMN-01



/s/ Anthony L. Uremovich 9-01-97
DESIGN STANDARDS ENGINEER DATE

/s/ Donald W. Lucas 9-01-97
CHIEF HIGHWAY ENGINEER DATE

Source Sheet: DET 3A
Source Sheet: MA