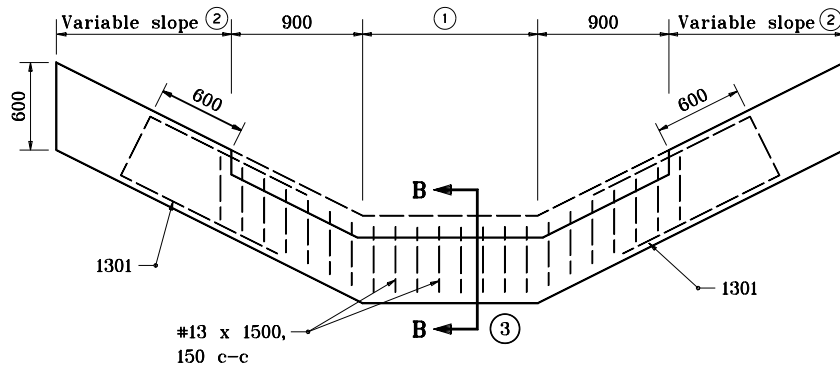


ELEVATION VIEW

CUT-OFF WALL FOR PAVED SIDE DITCH TYPES E THROUGH H

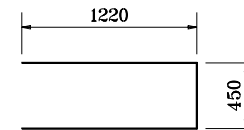


ELEVATION VIEW

LUG FOR PAVED SIDE DITCH TYPES E THROUGH H

GENERAL NOTES

- ① 300 For Type E
600 For Type F
900 For Type G
1200 For Type H
- ② 900 For Type E & F
1200 For Type G & H
- ③ See Standard Drawing 607-PSDT-02 for Sections A-A and B-B.



1301 x 3000

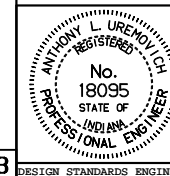
All dimensions are in mm unless otherwise specified.

INDIANA DEPARTMENT OF TRANSPORTATION

**PAVED SIDE DITCH
CUT-OFF WALL AND LUG**

SEPTEMBER 1997

STANDARD DRAWING NO. **607-PSDT-03**



/s/ Anthony L. Uremovich 9-01-97
DESIGN STANDARDS ENGINEER DATE

/s/ Donald W. Lucas 9-01-97
CHIEF HIGHWAY ENGINEER DATE

Source Sheet: **MB**