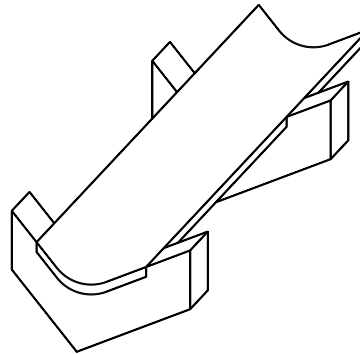
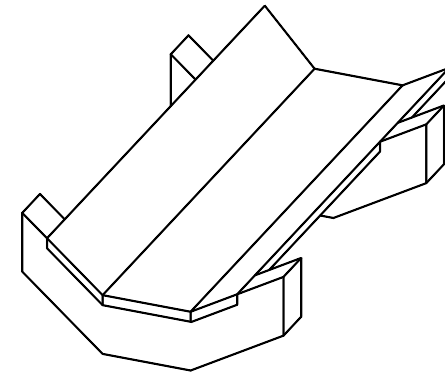


SECTION A-A



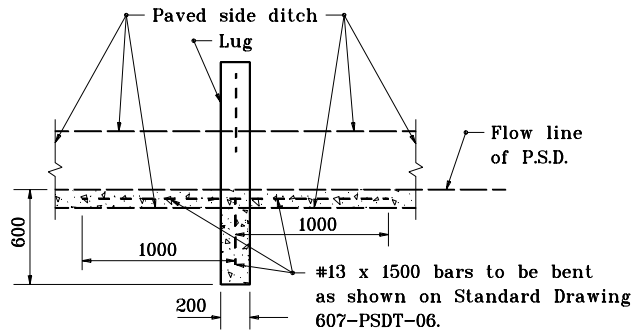
ISOMETRIC VIEW

PAVED SIDE DITCH TYPE A THROUGH D

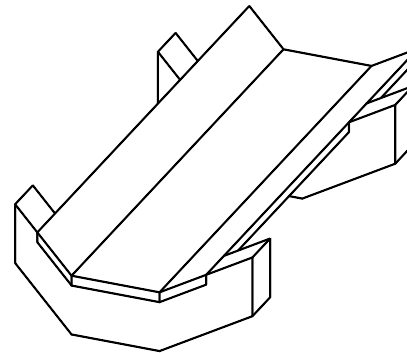


ISOMETRIC VIEW

PAVED SIDE DITCH TYPES J THROUGH M



SECTION B-B



ISOMETRIC VIEW

PAVED SIDE DITCH TYPE E THROUGH H

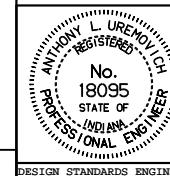
All dimensions are in mm unless otherwise specified.

INDIANA DEPARTMENT OF TRANSPORTATION

**PAVED SIDE DITCH
SECTIONS AND ISOMETRICS**

SEPTEMBER 1997

STANDARD DRAWING NO. **607-PSDT-02**



/s/ Anthony L. Uremovich 9-01-97
DESIGN STANDARDS ENGINEER DATE

/s/ Donald W. Lucas 9-01-97
CHIEF HIGHWAY ENGINEER DATE

Source Sheet: **MB**

DESIGN STANDARDS ENGINEER