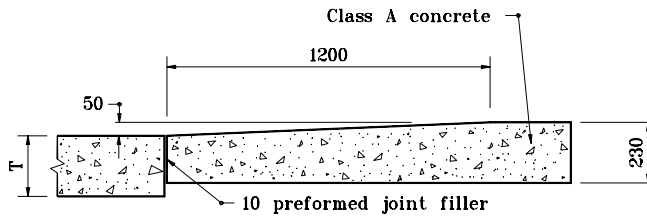


**GENERAL NOTES**

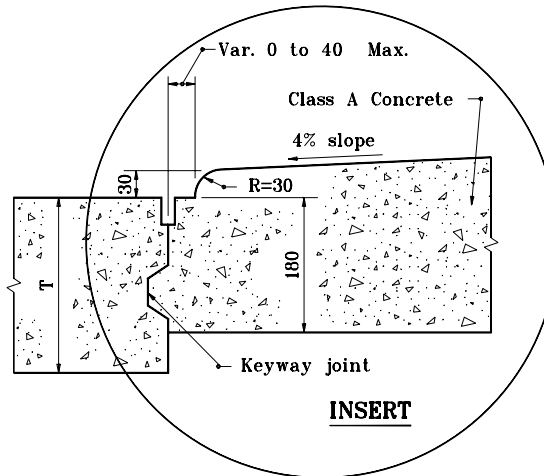
- ① For W greater than 1200 vary slope to hold 50 maximum height.

**LEGEND**

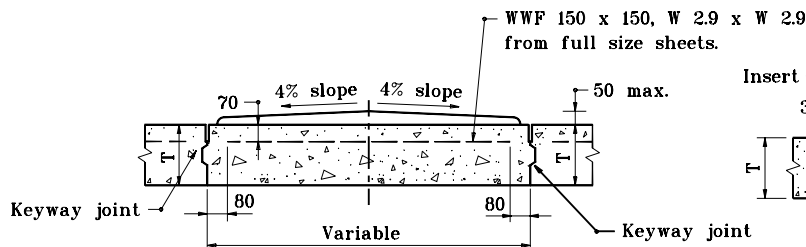
- T = Normal pavement depth
- W = Center curb width



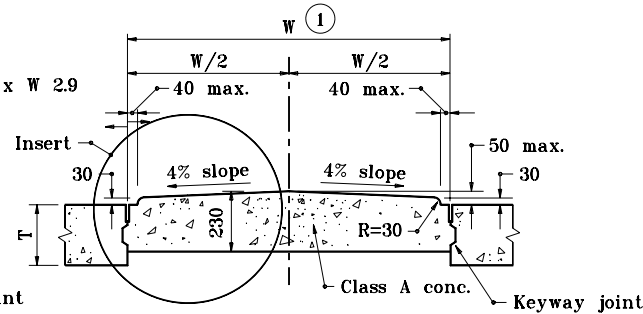
**SECTION F-F**



**INSERT**



**SECTION G-G**



**SECTION H-H**

INDIANA DEPARTMENT OF TRANSPORTATION	
CONCRETE CENTER CURB	
TYPE A	
JANUARY 2001	
STANDARD DRAWING NO. 605-CNCC-01	
	/s/ Anthony L. Uremovich 1-02-01 DESIGN STANDARDS ENGINEER DATE
	/s/ Firooz Zandi 1-02-01 CHIEF HIGHWAY ENGINEER DATE
DESIGN STANDARDS ENGINEER	